

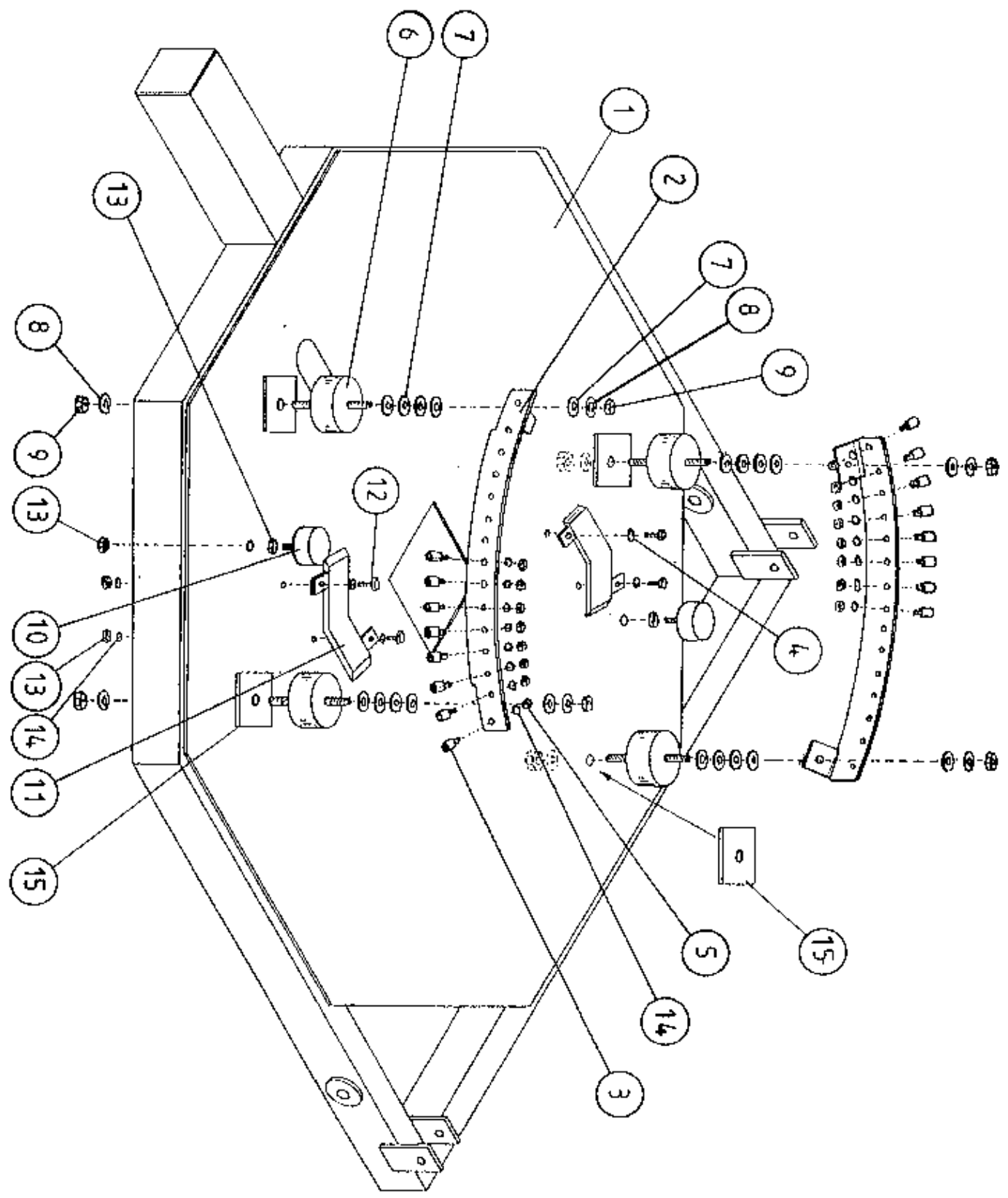
TANCO AUTOWRAP 1990

PARTS LIST

QUADRANT MOUNTING ASSEMBLY 50% OVERLAP

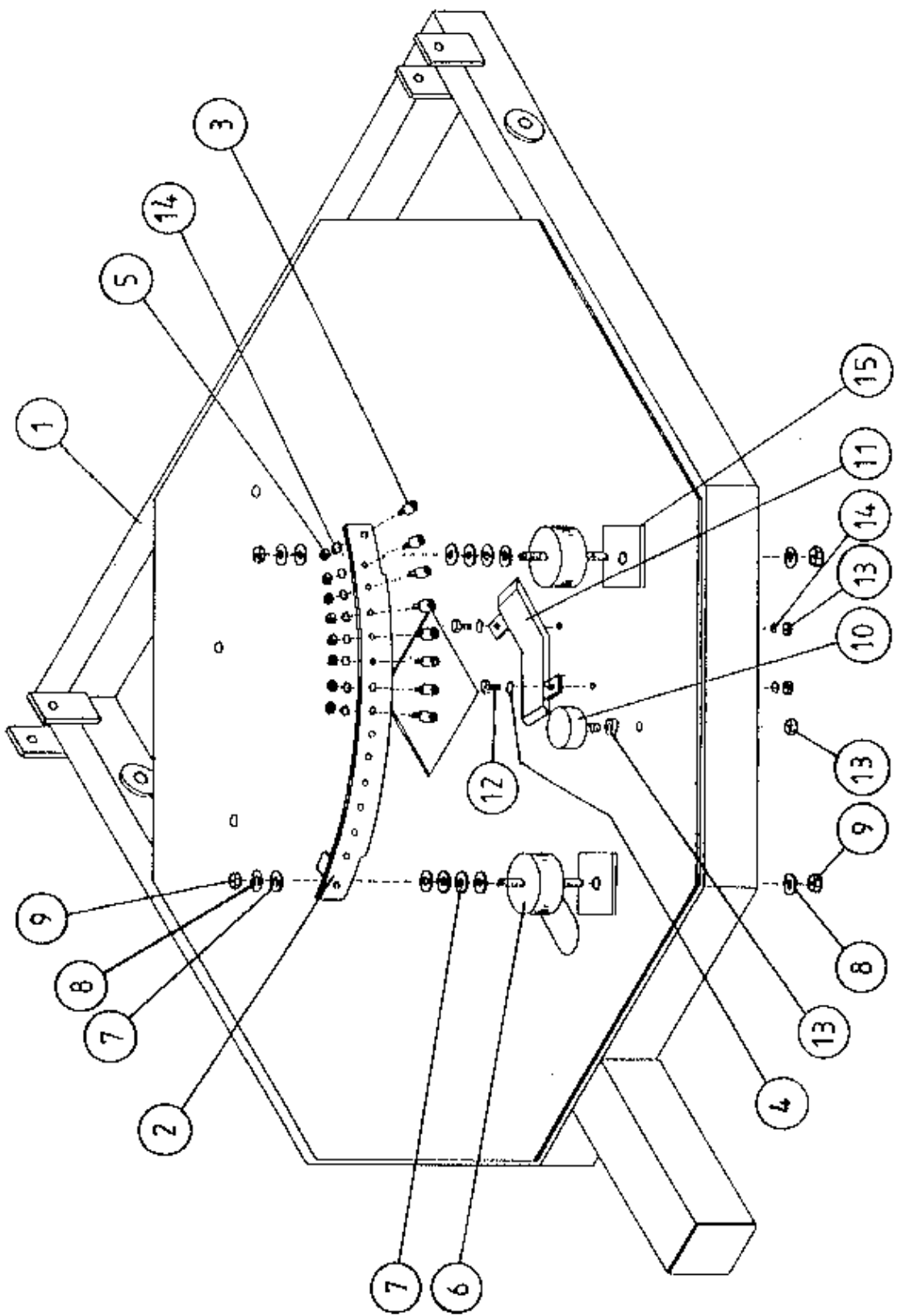
<u>ITEM NO.</u>	<u>DESCRIPTION</u>	<u>QTY.</u>	<u>PART NO.</u>	<u>CODE NO.</u>
1.	TIPPING FRAME ASSY.	1	B/R 101 A	
2.	QUADRANT ASSY.	1	B/R 160 A	
3.	3/4" DIA CAM FOLLOWER (HEAVY DUTY) C/W GREASE NIPPLE	16		206-425
4.	10mm DIA FLAT WASHERS	4		211-02-10
5.	3/8" UNF LOCKNUTS (BINX)	16		220-12
6.	RUBBER BUFFER 100mm DIA x 40mm LONG	4		240-22
7.	16mm DIA FLAT WASHERS	20		210-02-16
8.	16mm DIA SPRING WASHERS	8		212-02-16
9.	M16 HEX NUT	8		218-16
10.	RUBBER BUFFER 50mm DIA x 25mm LONG	2		240-23
11.	CAM ASSY	2	B/R 164 A	
12.	M10 HEX HD SET x 30mm LONG	4		226-0625
13.	M10 HEX NUT	8		218-10
14.	10mm DIA SPRING WASHER	20		212-02-10
15.	PACKER	4	B/R 184	XPAW

TANCO AUTOWRAP 1990 QUADRANT MOUNTING ASSY 50% OVERLAP



TANCO © 1987

TANCO AUTOWRAP 0089C
QUADRANT MOUNTING ASSY 75% OVERLAP



TANCO © 1987

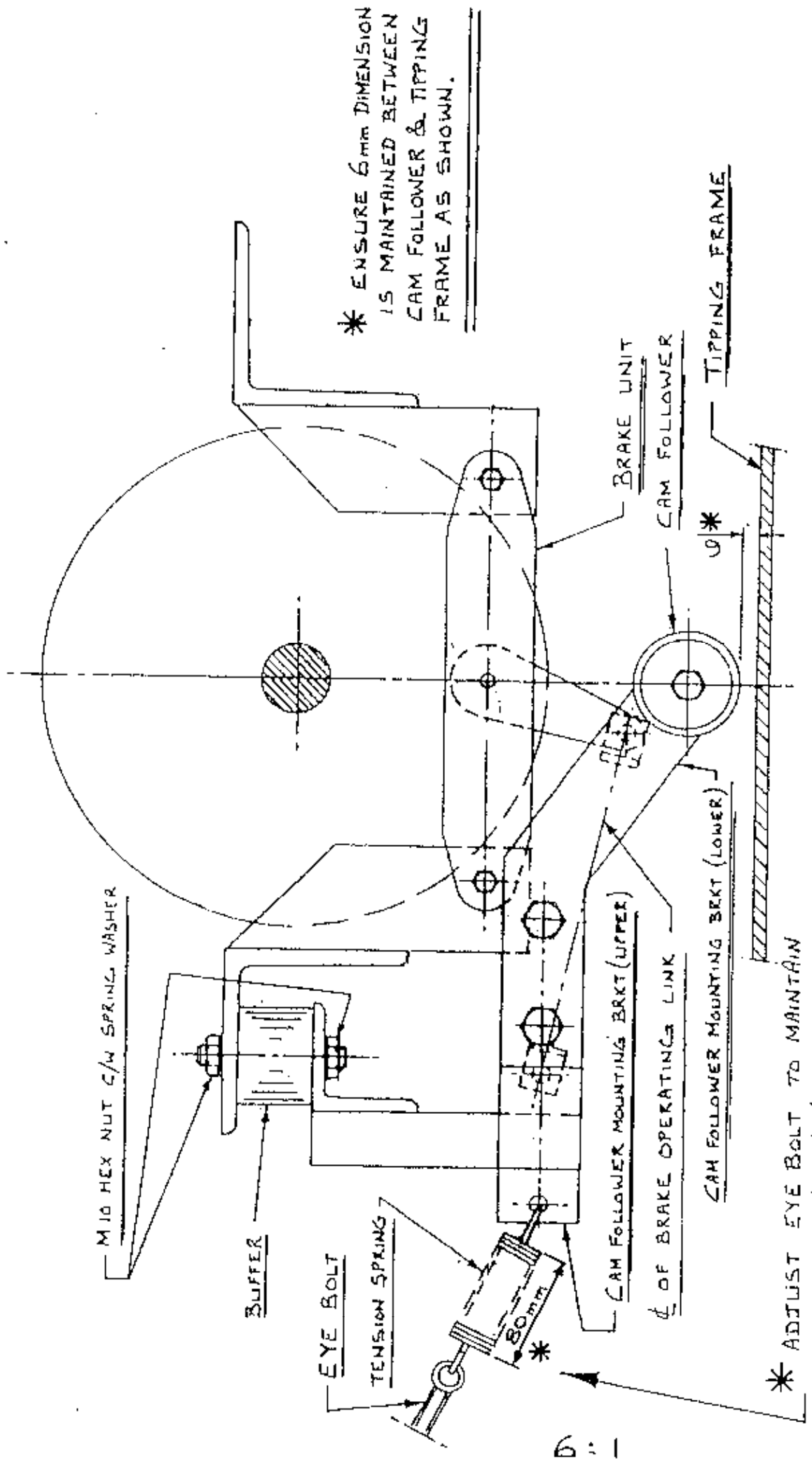
TANCO AUTOWRAP 1990

PARTS LIST

QUADRANT MOUNTING ASSEMBLY 75% OVERLAP

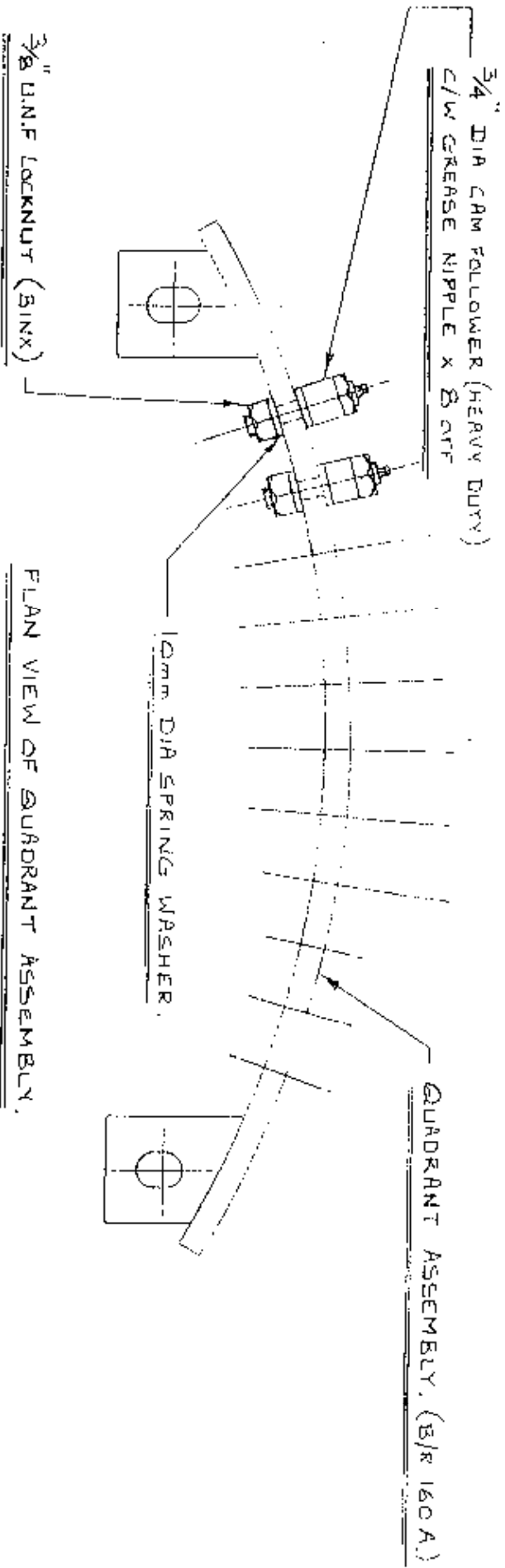
<u>ITEM NO.</u>	<u>DESCRIPTION</u>	<u>QTY.</u>	<u>PART NO.</u>	<u>CODE NO.</u>
1.	TIPPING FRAME ASSY.	1	D/R 101 A	
2.	QUADRANT ASSY.	1	B/R 160 A	
3.	3/4" DIA CAM FOLLOWER (HEAVY DUTY) C/W GREASE NIPPLE	8		Z06-425
4.	10mm DIA FLAT WASHERS	2		Z11-02-10
5.	3/8" UNF LOCKNUTS (BINX)	8		Z20-12
6.	RUBBER BUFFER 100mm DIA x 40mm LONG	2		Z40-22
7.	16mm DIA FLAT WASHERS	10		Z10-02-16
8.	16mm DIA SPRING WASHERS	4		Z12-02-16
9.	M16 HEX NUT	4		Z18-16
10.	RUBBER BUFFER 50mm DIA x 25mm LONG	1		Z40-23
11.	CAM ASSY	1	D/R 164 A	
12.	M10 HEX HD SET x 30mm LONG	2		Z26-062S
13.	M10 HEX NUT	4		Z18-10
14.	10mm DIA SPRING WASHER	10		Z12-02-10
15.	PACKER	2	B/R 184	XPAW

TANCO AUTO WRAP
INDEX SHAFT. DISC BRAKE ADJUSTMENT



NOTE:

WHEN FITTING 3/4" DIA CAM FOLLOWERS TO QUADRANT ASSEMBLY IT IS NECESSARY TO TORQUE NUTS TO 26 FT/LB.



PLAN VIEW OF QUADRANT ASSEMBLY.

NOTE:

ENSURE THAT M20 HEX HD BOLT X 110 mm LONG USED TO MOUNT 4" DIA SUPPORT WHEELS ON TURNABLE ASSEMBLY IS POSITIONED WITH BOLT HEAD TO INSIDE TO AVOID FOULING 3/4" DIA CAM FOLLOWER.

TANCO AUTOWRAP (1990 MODEL)

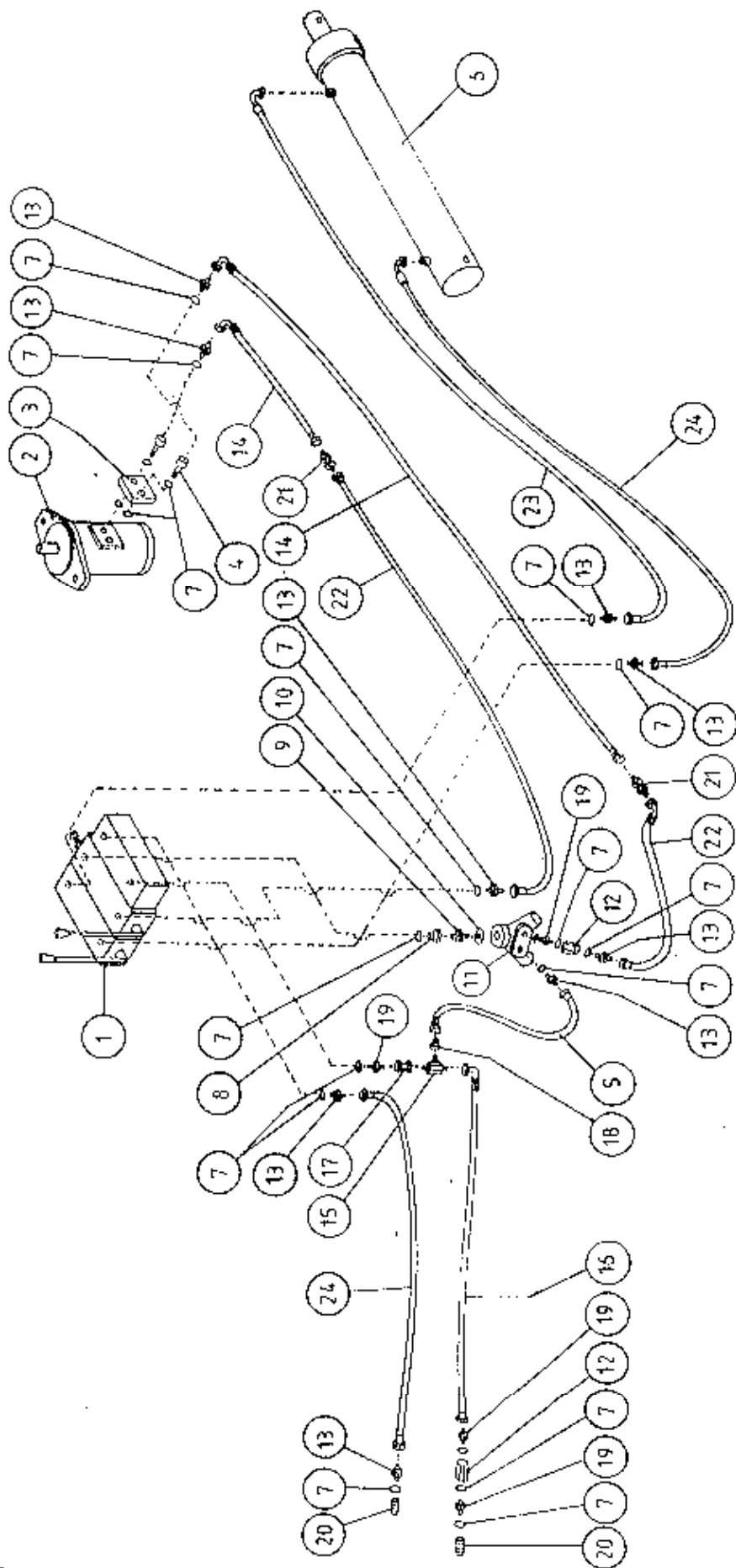
QUADRANT ASSEMBLY INSTRUCTIONS.

TANCO AUTOWRAP 1990 3pt. LINKAGE MODEL

HYDRAULIC COMPONENTS (V.P)

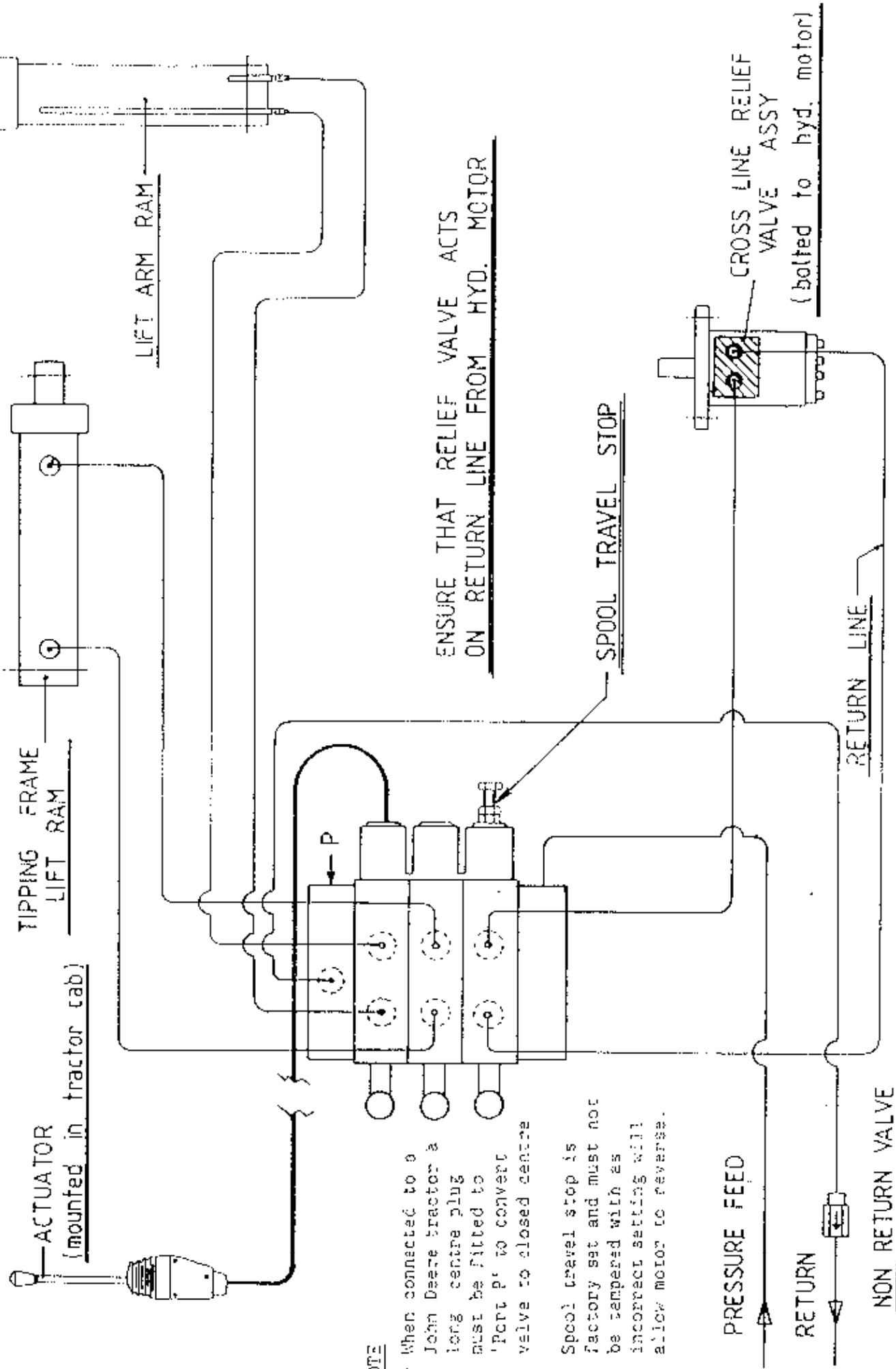
PARTS LIST

<u>ITEM NO.</u>	<u>DESCRIPTION</u>	<u>QTY.</u>	<u>PART NO.</u>	<u>CODE NO.</u>
1.	2 BANK SPOOL VALVE (V.P.) C/W LEVERS	1		
2.	HYDRAULIC MOTOR (C.L.)	1		Z01-02-AR75
3.	CROSS LINE RELIEF VALVE	1		Z01-03-001
4.	1/2" BSP BOTTOM BANJO BOLT (SPECIAL)	2		
5.	12" ST/ST 3/8" D/W HOSE	1		Z38-R2-12-S8
6.	HYD. RAM (FOR TIPPING FRAME)	1		Z01-01-AR687
7.	1/2" DOWTY WASHER	20		Z01-04-03
8.	1/2" MALE x 3/8" FEMALE ADAPTOR	1		Z01-05-08-06
9.	3/4" x 3/8" ADAPTOR	1		Z01-06-06-12
10.	3/4" DOWTY WASHER	1		Z01-04-05
11.	FLOW DIVIDER	1		Z01-03-104
12.	1/2" NON RETURN VALVE	2		Z01-03-017
13.	1/2" x 3/8" ADAPTOR	9		Z01-06-06-08
14.	48" ST/90 3/8" D/W HOSE	2		Z38-R2-48-S9
15.	1/2" MALE TEE PIECE	1		Z01-11-003
16.	72" ST/90 1/2" S/W HOSE	1		Z12-R2-72-S9
17.	1/2" x 1/2" FEMALE/FEMALE ADAPTOR	1		Z01-10-08-08
18.	1/2" FEMALE x 3/8" MALE ADAPTOR	1		Z01-05-06-88
19.	1/2" x 1/2" ADAPTOR	4		Z01-06-08-08
20.	1/2" MALE END Q/R COUPLING	2		Z01-15-081
21.	3/8" x 3/8" BULK HEAD ADAPTOR	2		Z01-05-06-06
22.	60" ST/90 3/8" D/W HOSE	2		Z38-R2-60-S9
23.	84" ST/90 3/8" D/W HOSE	1		Z38-R2-84-S9
24.	72" ST/90 3/8" D/W HOSE	2		Z38-R2-72-S9



TANCO AUTOWRAP 3 PT. LINKAGE MODEL 1990
 HYDRAULIC COMPONENTS (V.P.)

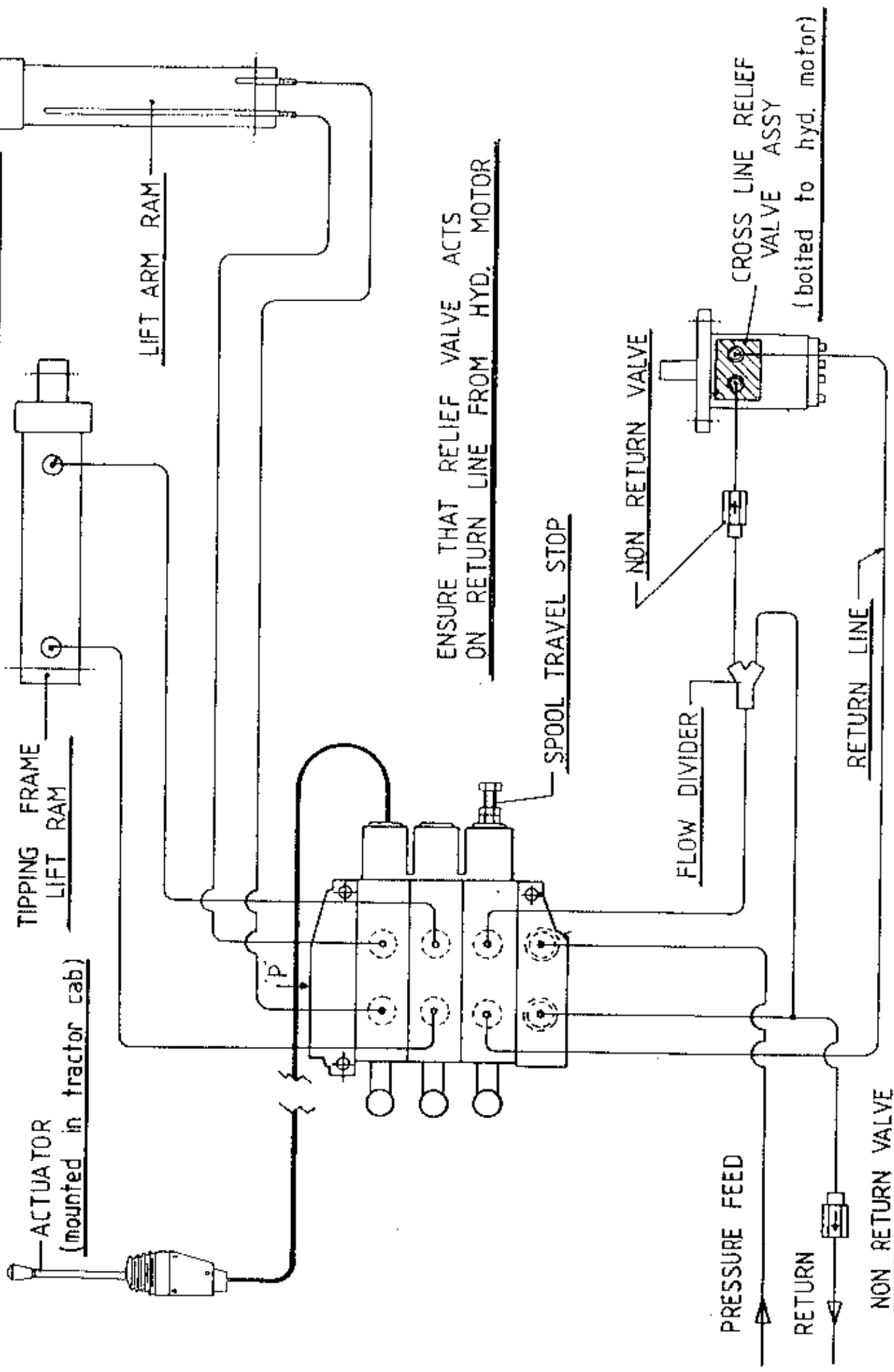
TANCO AUTOWRAP TRAILED MODEL HYDRAULIC CIRCUIT (DIN) (1990)



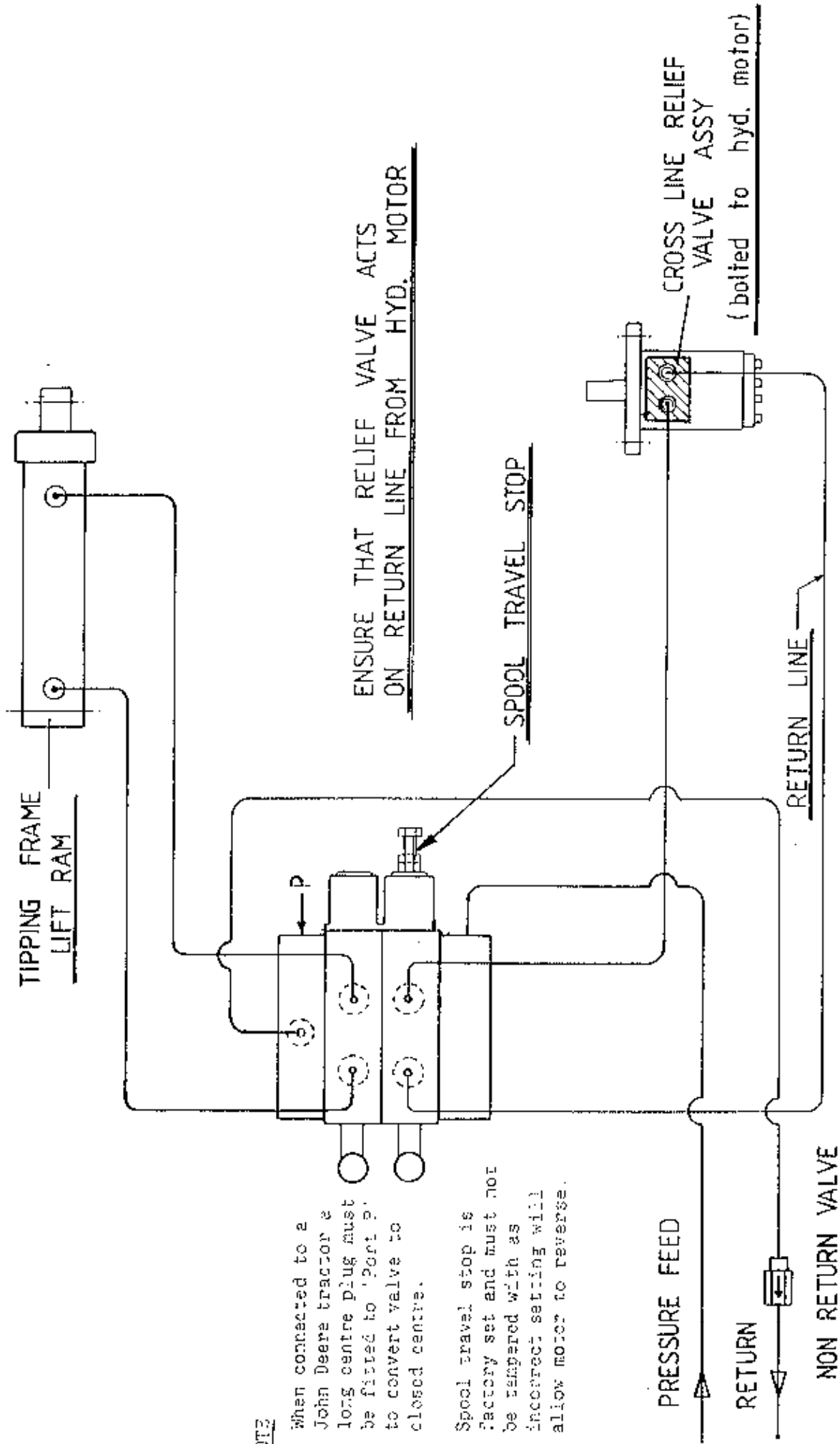
NOTE

- A) When connected to a John Deere tractor a long centre plug must be fitted to 'Port P' to convert valve to closed centre
- B) Spool travel stop is factory set and must not be tampered with as incorrect setting will allow motor to reverse.

TANCO AUTOWRAP TRAILED MODEL HYDRAULIC CIRCUIT (VP) (1990)



TANCO AUTOWRAP 3 PT. LINKAGE MODEL (1990)
HYDRAULIC CIRCUIT (DIN)

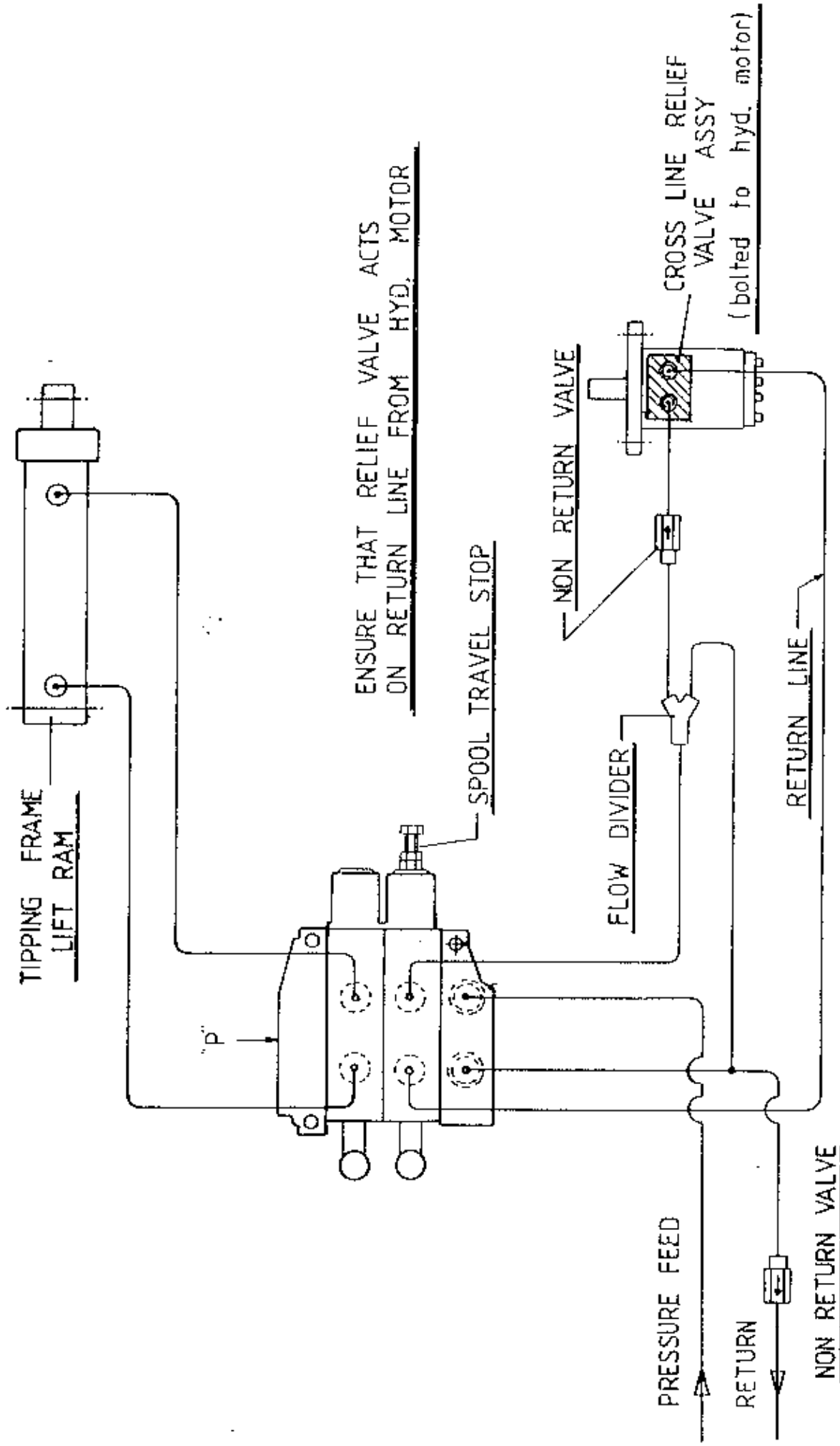


NOTE:

A) When connected to a John Deere tractor a long centre plug must be fitted to 'Port P' to convert valve to closed centre.

B) Spool travel stop is factory set and must not be tampered with as incorrect setting will allow motor to reverse.

TANCO AUTOWRAP 3 PT. LINKAGE MODEL (1990)
HYDRAULIC CIRCUIT (VP)



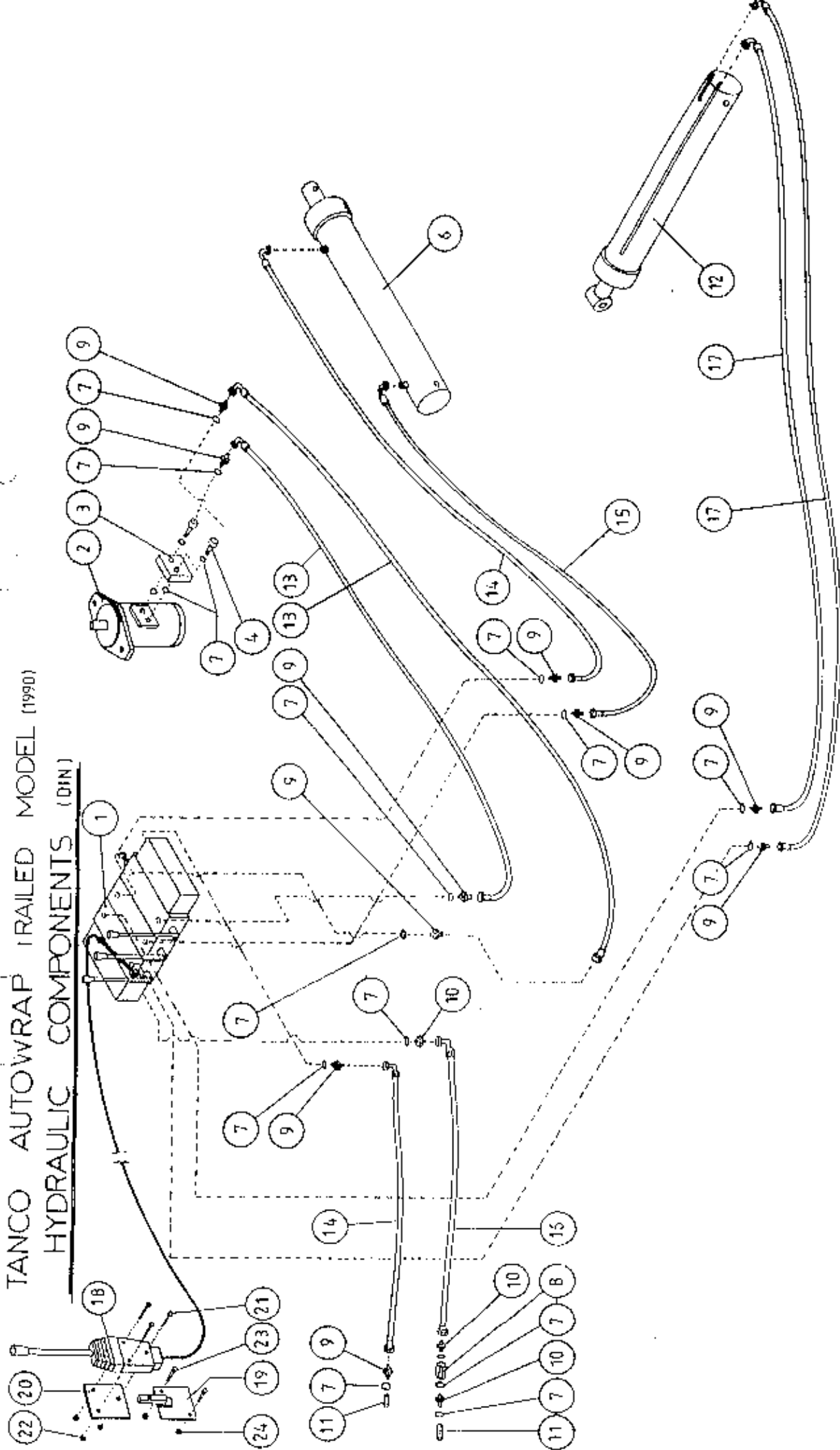
TANCO AUTOWRAP 1990 (TRAILED MODEL)

HYDRAULIC COMPONENTS (DIN)

PARTS LIST

<u>ITEM NO.</u>	<u>DESCRIPTION</u>	<u>QTY.</u>	<u>PART NO.</u>	<u>CODE NO.</u>
1.	3 BANK SPOOL VALVE (DIN) C/W LEVERS	1		Z01-03-0180
2.	HYDRAULIC MOTOR (C.L.)	1		Z01-02-AR75
3.	CROSS LINE RELIEF VALVE	1		Z01-03-002
4.	1/2" BSP BOTTOM BANJO BOLT (SPECIAL)	2		
5.				
6.	HYD. RAM (FOR TIPPING FRAME)	1		Z01-01-AR687
7.	1/2" DOWTY WASHER	18		Z01-04-03
8.	1/2" NON RETURN VALVE	1		Z01-03-017
9.	1/2" x 3/8" ADAPTOR	10		Z01-06-06-08
10.	1/2" x 1/2" ADAPTOR	3		Z01-06-08-08
11.	1/2" MALE END Q/R COUPLING	2		Z01-15-081
12.	HYD. RAM (FOR LIFT ARM)	1		Z01-01-AR
13.	96" ST/90 3/8" O/W HOSE	2		Z38-R2-96-S9
14.	84" ST/90 3/8" O/W HOSE	2		Z38-R2-84-S9
15.	72" ST/90 3/8" O/W HOSE	1		Z38-R2-72-S9
16.	84" ST/90 1/2" S/W HOSE	1		Z12-R1-84-S9
17.	120" ST/90 3/8" O/W HOSE	2		Z38-R2-120S9
18.	3 1/2" HEYER CABLE C/W ACTUATOR & BULKHEAD END	1		Z004-03-006
19.	ACTUATOR MTG. BRACKET BOTTOM HALF	1	B/R 143 A	
20.	ACTUATOR MTG. BRACKET TOP HALF	1	B/R 144 A	
21.	M8 HEX HD. BOLTS x 65mm LONG	3		Z26-048B
22.	M8 LOCKNUTS	3		Z23-08
23.	M10 HEX HD. SETS x 40mm LONG	2		Z26-064G
24.	M10 LOCKNUTS	2		Z23-10

TANCO AUTOWRAP TRAILED MODEL (1990)
 HYDRAULIC COMPONENTS (DIN)



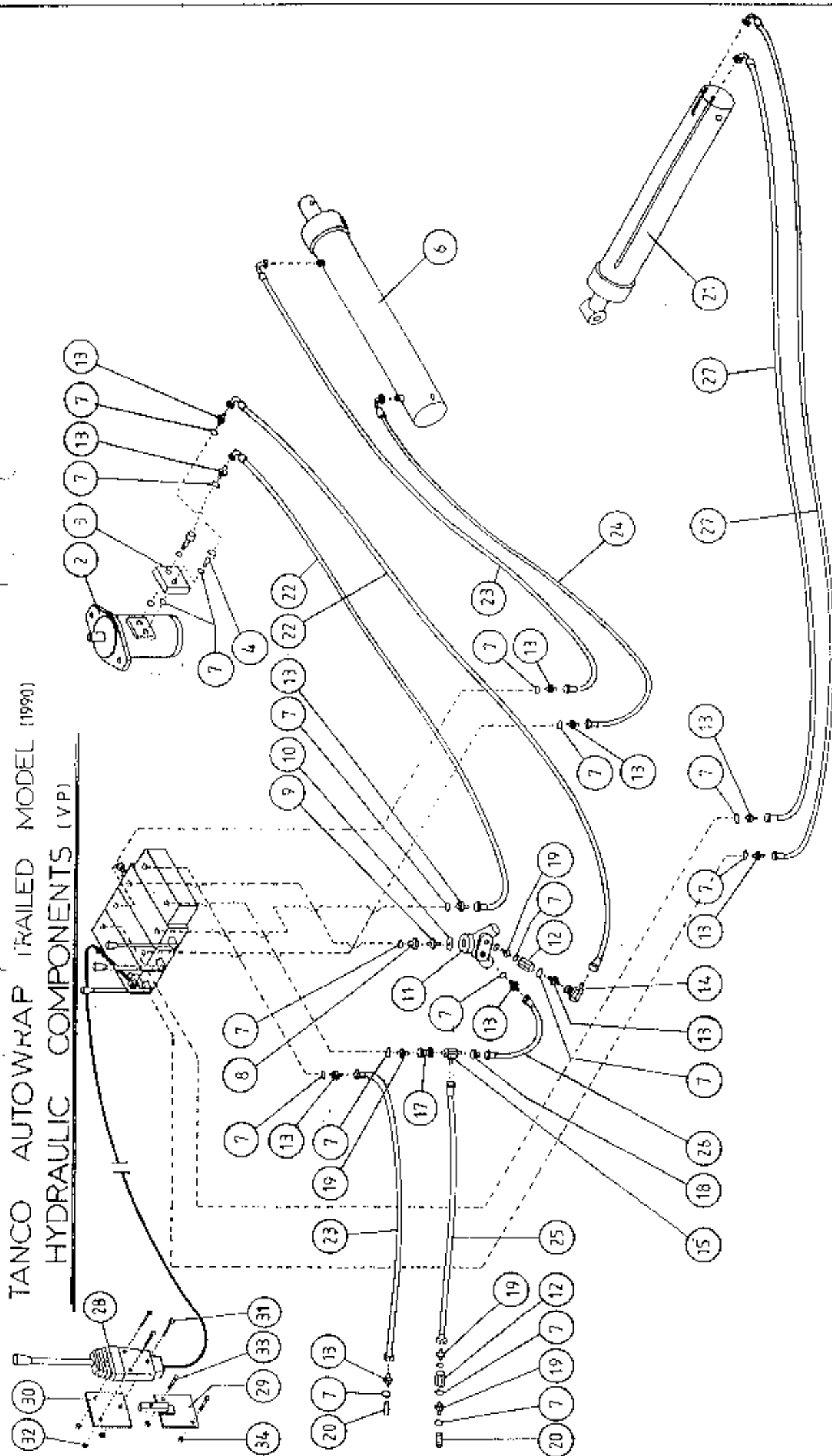
TANCO AUTOWRAP 1990 (TRAILED MODEL)

HYDRAULIC COMPONENTS (V.P)

PARTS LIST

<u>ITEM NO.</u>	<u>DESCRIPTION</u>	<u>QTY.</u>	<u>PART NO.</u>	<u>CODE NO.</u>
1.	3 BANK SPOOL VALVE (V.P.) C/W LEVERS	1		Z01-03-018V
2.	HYDRAULIC MOTOR (C.L.)	1		Z01-02-AR75
3.	CROSS LINE RELIEF VALVE	1		Z01-03-002
4.	1/2" BSP BOTTOM BANJO BOLT (SPECIAL)	2		
5.				
6.	HYD. RAM (FOR TIPPING FRAME)	1		Z01-01-AR687
7.	1/2" DOWTY WASHER	22		Z01-04-03
8.	1/2" MALE x 3/8" FEMALE ADAPTOR	1		Z01-05-08-06
9.	3/4" x 3/8" ADAPTOR	1		Z01-06-06-12
10.	3/4" DOWTY WASHER	1		Z01-04-05
11.	FLOW DIVIDER	1		Z01-03-104
12.	1/2" NON RETURN VALVE	2		Z01-03-017
13.	1/2" x 3/8" ADAPTOR	11		Z01-06-06-08
14.	3/8" MALE/FEMALE 90 ELBOW	1		Z01-14-015
15.	1/2" MALE TEE PIECE	1		Z01-11-003
16.				
17.	1/2" x 1/2" FEMALE/FEMALE ADAPTOR	1		Z01-10-08-08
18.	1/2" FEMALE x 3/8" MALE ADAPTOR	1		Z01-05-06-08
19.	1/2" x 1/2" ADAPTOR	4		Z01-06-08-08
20.	1/2" MALE END Q/R COUPLING	2		Z01-15-081
21.	HYD. RAM (FOR LIFT ARM)	1		Z01-01-AW
22.	96" ST/90 3/8" D/W HOSE	2		Z38-R2-96-S9
23.	84" ST/90 3/8" D/W HOSE	2		Z38-R2-84-S9
24.	72" ST/90 3/8" D/W HOSE	1		Z38-R2-72-S9
25.	84" ST/90 1/2" D/W HOSE	1		Z12-R2-84-S9
26.	12" ST/ST 3/8" D/W HOSE	1		Z38-R27-12S9
27.	120" ST/90 3/8" D/W HOSE	2		Z38-R2-120S9
28.	3 1/2" METER CABLE C/W ACTUATOR & BULKHEAD END	1		Z004-63-0061
29.	ACTUATOR MTG. BRACKET BOTTOM HALF	1	B/R 143 A	
30.	ACTUATOR MTG. BRACKET TOP HALF	1	B/R 144 A	
31.	M8 HEX HD. BOLTS x 65mm LONG	3		Z26-048B
32.	M8 LOCKNUTS	3		Z23-08
33.	M10 HEX HD. SETS x 40mm LONG	2		Z26-064S
34.	M10 LOCKNUTS	2		Z23-10

TANCO AUTOWRAP TRAILED MODEL (1990)
 HYDRAULIC COMPONENTS (VP)

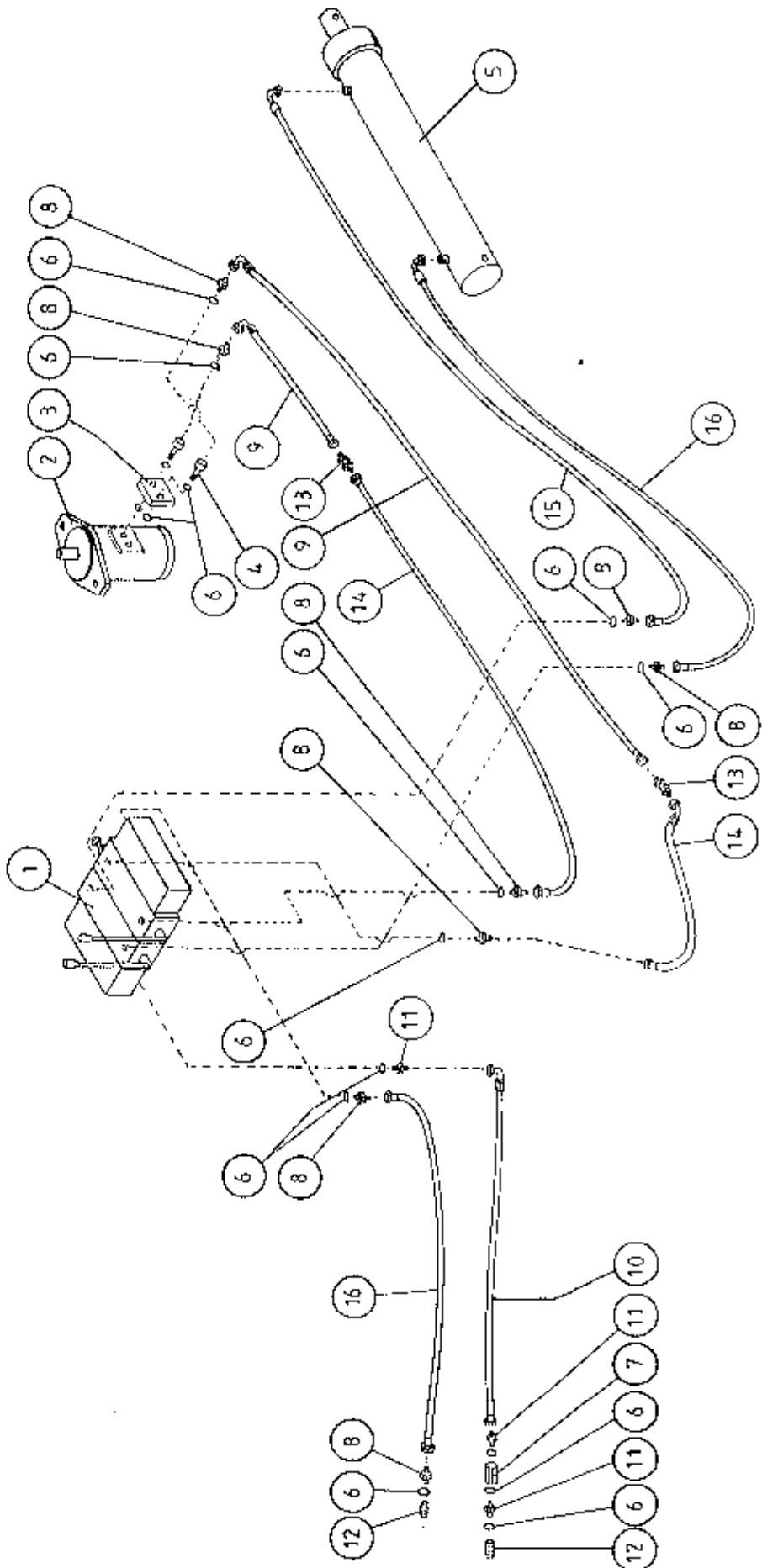


SANCO AUTOWRAP 1990 3pt. LINKAGE MODEL

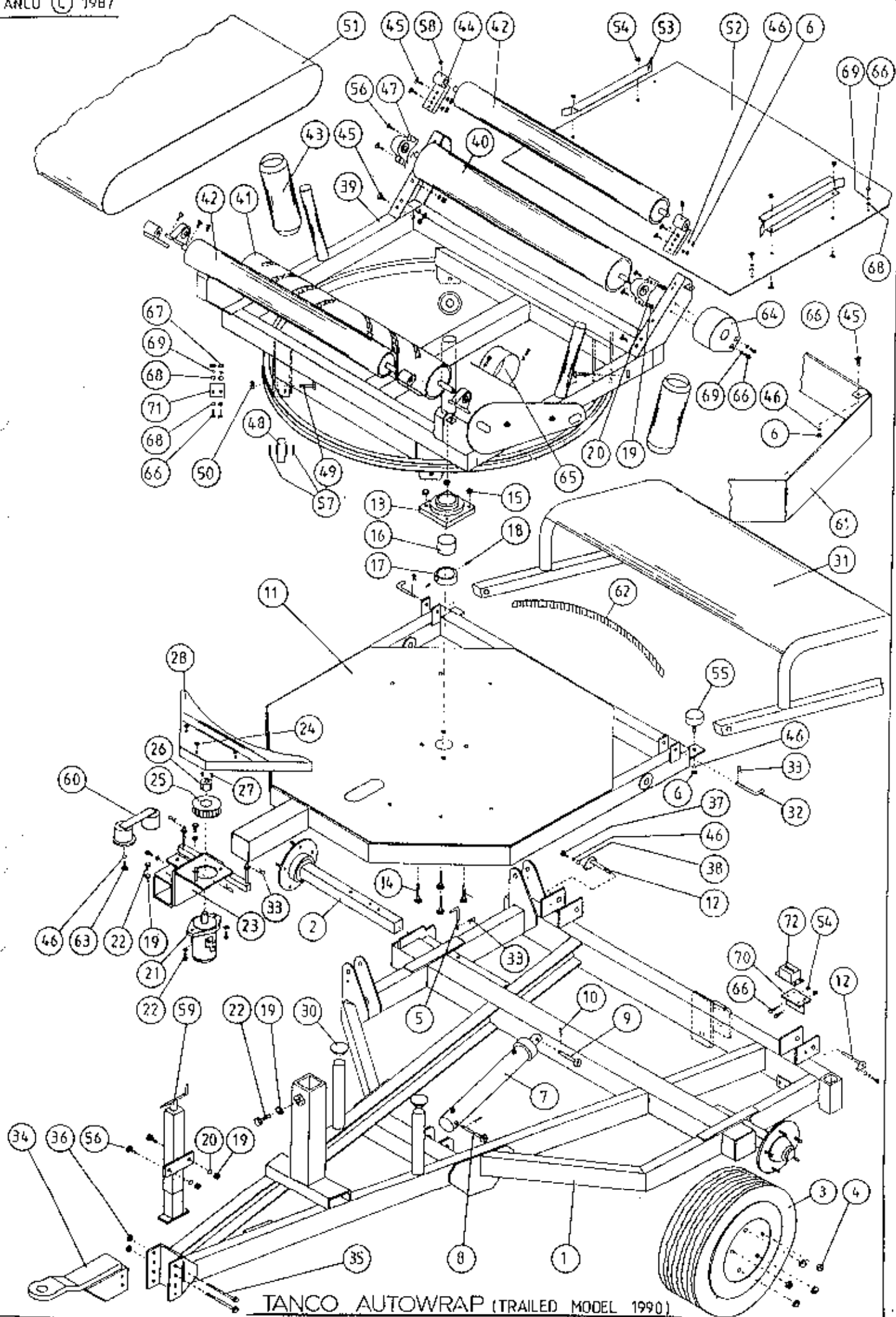
PARTS LIST

HYDRAULIC COMPONENTS (DIN)

<u>ITEM NO.</u>	<u>DESCRIPTION</u>	<u>QTY.</u>	<u>PART NO.</u>	<u>CODE NO.</u>
1.	2 BANK SPOOL VALVE (DIN) C/W LEVERS	1		
2.	HYDRAULIC MOTOR (C.L.)	1		Z01-02-AR75
3.	CROSS LINE RELIEF VALVE	1		Z01-03-001
4.	1/2" BSP BOTTOM BANJO BOLT (SPECIAL)	2		
5.	HYD. RAM (FOR TIPPING FRAME)	1		Z01-01-AR607
6.	1/2" DOWTY WASHER	16		Z01-04-03
7.	1/2" NON RETURN VALVE	1		Z01-03-017
8.	1/2" x 3/8" ADAPTOR	8		Z01-06-06-08
9.	48" ST/90 3/8" D/W HOSE	2		Z38-R2-48-S9
10.	72" ST/90 1/2" S/W HOSE	1		Z12-R2-72-S9
11.	1/2" x 1/2" ADAPTOR	3		Z01-05-08-03
12.	1/2" MALE END Q/R COUPLING	2		Z01-15-051
13.	3/8" x 3/8" BULK HEAD ADAPTOR	2		Z01-05-06-06
14.	60" ST/90 3/8" D/W HOSE	2		Z38-R2-60-S9
15.	84" ST/90 3/8" D/W HOSE	1		Z38-R2-84-S9
16.	72" ST/90 3/8" D/W HOSE	2		Z38-R2-72-S9



TANCO AUTOWRAP 3 PT. LINKAGE MODEL 1990
 HYDRAULIC COMPONENTS (DIN)



TANCO AUTOWRAP (TRAILED MODEL 1990)

TANCO AUTOWRAP 1990

PARTS LIST

<u>ITEM NO.</u>	<u>DESCRIPTION</u>	<u>QTY.</u>	<u>PART NO.</u>	<u>CODE NO.</u>
1.	CHASSIS ASSY	1	B/R 100A	
2.	STUB AXLE (ADJUSTABLE)	1		Z04-033
3.	WHEELS	2		Z04-03
4.	WHEEL NUTS	20		
5.	BISSEL PIN	1	B/R 176	
6.	M10 HEX NUT	14		Z18-10
7.	HYD. RAM	1		Z01-01-AR687
8.	RAM BOTTOM PIVOT PIN	1	B/" 330	Z03-02-330
9.	RAM TOP PIVOT PIN	1	J-71-50	Z03-03-50
10.	2" X 1/4" SPLIT PIN	2		Z03-21-29
11.	TIPPING FRAME ASSY.	1	B/R 101 A	
12.	TIPPING FRAME PIVOT PIN C/W GREASE NIPPLE	2	905/965	Z03-01-905
13.	2" DIA FLANGE BEARING	1		Z06-49
14.	5/8" UNF HEX HD.SET x 2" LONG	4		Z30B-064
15.	5/8" UNF LOCKNUTS	4		Z20-10
16.	SPACER	1	B/R 168	
17.	LOCKING COLLAR	1	B/R 167	Z06-01AW
18.	M10 x 15mm GRUB SCREWS	2		
19.	M12 HEX NUT	14		Z18-12
20.	12mm DIA SPRING WASHER	12		Z12-02-12
21.	HYD.MOTOR C.L.	1		Z01-02-AR75
22.	M12 HEX HD SETS x 30mm LONG	6		Z26S-082
23.	HYD. MOTOR MOUNTING ASSY.	1	B/R 103 A	
24.	RUBBER GROMMETS FOR 12mm ROUND	3		Z49-94
25.	4"DIA x 1/2" PITCH TOOTHED PULLEY	1		Z09-008-AW1
26.	TAPER LOCK BUSH TO SHIT 1" DIA SHAFT	1		Z09-005-AW2
27.	M10 STUDS X 15mm	2		
28.	HYD. MOTOR GUARD ASSY	1	B/R 126 A	
30.	PLASTIC CAP	2		Z32-08
31.	HALE RAMP ASSY.	1	B/R 123 A	
32.	BISSEL PIN	2	B/R 199	
33.	4mm "R" CLIP	5		Z36-02

TANCO AUTOWRAP 1990

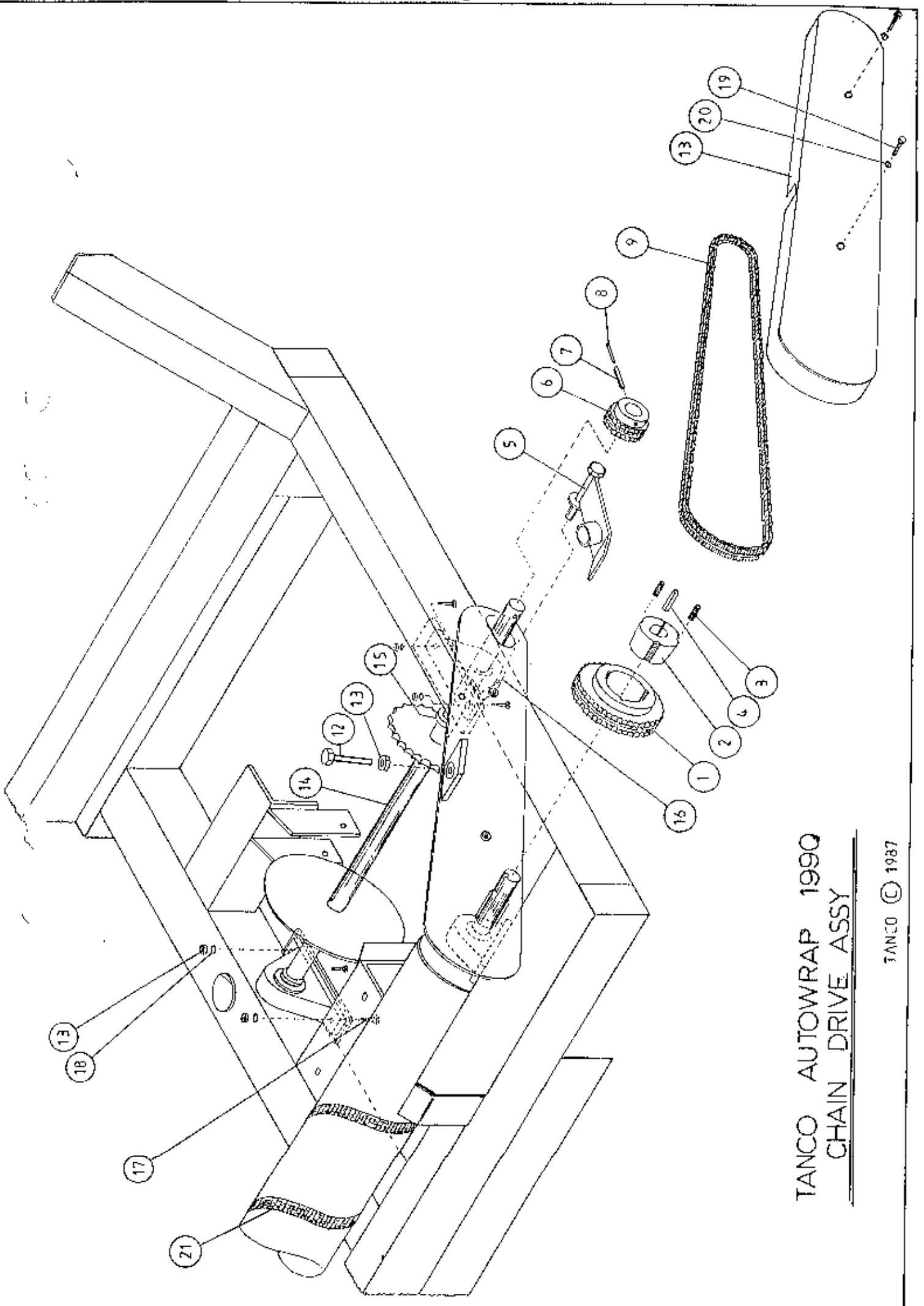
PARTS LIST

<u>ITEM NO.</u>	<u>DESCRIPTION</u>	<u>QTY.</u>	<u>PART NO.</u>	<u>CODE NO.</u>
34.	HITCH ASSY.	1	B/R 154 A	
35.	M16 HEX HD. BOLT x 150mm LONG	2		Z26-135B
36.	M16 LOCKNUTS	2		Z23-16
37.	M10 HEX HD. SET x 25mm LONG (TUFLOCK)	2		Z26S-061
38.	10mm DIA MACHINED FLAT WASHER	2		Z11-02-10
39.	TURN TABLE ASSY.	1	B/R 102 A	
40.	BIG ROLLER ASSY IDLER	1	B/R 104 A	
41.	BIG ROLLER ASSY. DRIVER	1	B/R 105 A	
42.	SMALL ROLLER ASSY.	2	B/R 106 A	
43.	SIDE ROLLER ASSY.	2	B/R 107 A	
44.	ROLLER MTG. BRACKET	4	B/R 110 A	
45.	M10 HEX HD. SETS x 40mm LONG	12		Z26S-064
46.	10mm DIA SPRING WASHERS	17		Z12-02-10
47.	1" PILLOW BEARING C/W PROTECTOR CAP	4		Z06-47
48.	SUPPORT WHEELS (4" DIA)	4		
49.	AXLE ASSY. C/W GREASE NIPPLE	4	B/R 192	
50.	M20 LOCKNUTS	4		Z23-20
51.	1 METER WIDE x 89 1/2" LONG x 1/4" FLAT BELT	1		Z05-02- AW
52.	TURN TABLE COVER PLATE ASSY.	1	B/R 114 A	
53.	FLAT BELT GUIDE ASSY.	2	B/R 115 A	
54.	M6 LOCKNUTS	6		Z23-06
55.	BUFFER 50mm DIA x 40mm LONG	2		
56.	M12 HEX HD. SETS x 40mm LONG	10		Z26S-084
57.	SPACER	8	B/R 198	
58.	1/8" B.S.P. ST GREASE NIPPLE	4		Z39-60
59.	SCREW JACK ASSEMBLY	3	B/R 130 A	
60.	ROSTA TENSIONING UNIT RSE 18	3		Z06-455
61.	MAIN GUARD ASSY.	1	B/R 112 A	
62.	170" 1/2 PITCH x 1" WIDE TOOTHED BELT	1		Z05-02-AW2
63.	M10 HEX HD. SET x 30mm LONG	1		Z26S-062

TANCO AUTOWRAP 1990

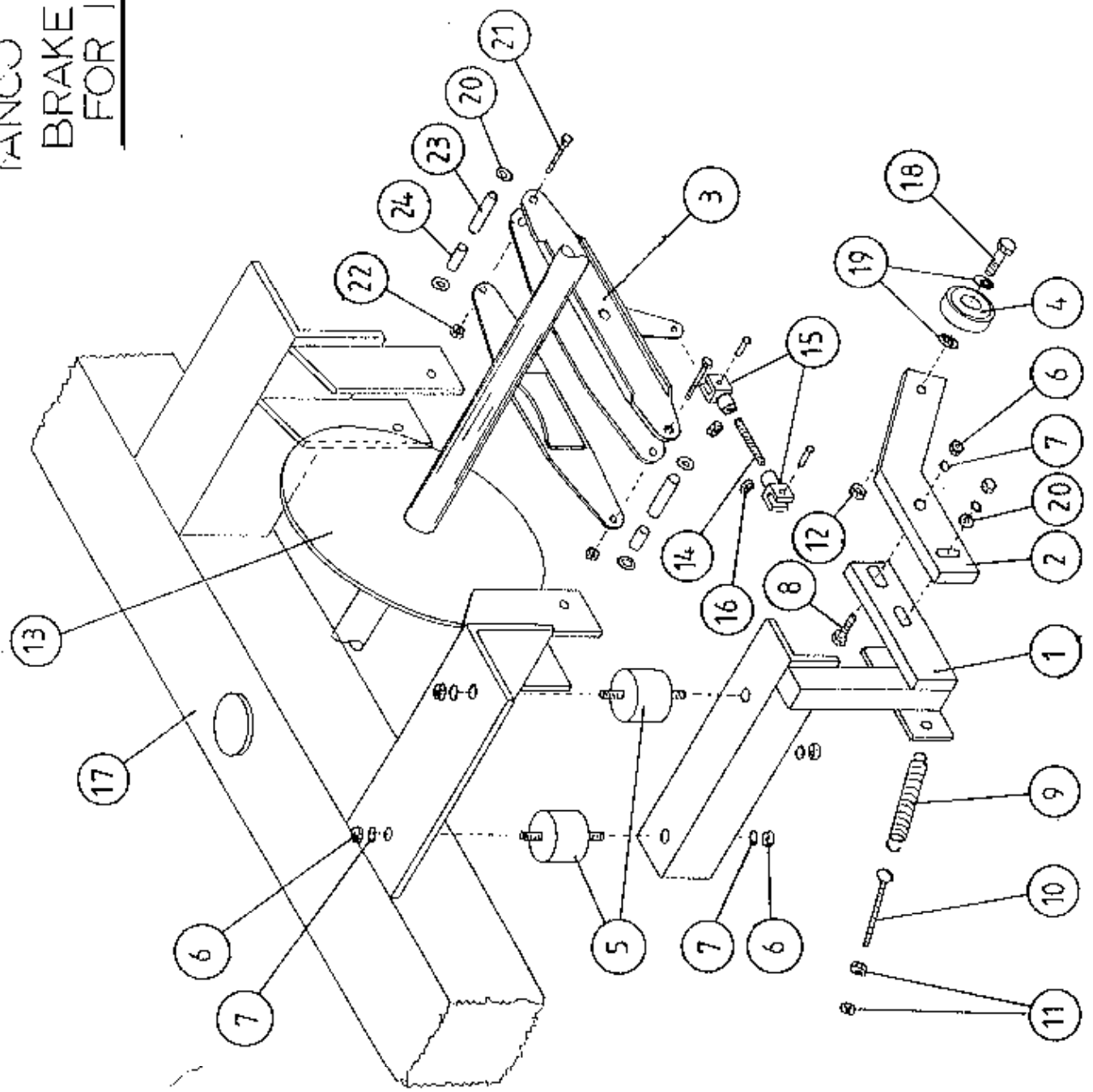
PARTS LIST

<u>ITEM NO.</u>	<u>DESCRIPTION</u>	<u>QTY.</u>	<u>PART NO.</u>	<u>CODE NO.</u>
64.	GRASS GUARD (CLOSED TYPE)	3	B/R 182 A	249-98
65.	GRASS GUARD (OPEN TYPE)	1	B/R 183 A	249-981
66.	M6 HEX HD SETS x 20mm LONG	22		226-039S
67.	M6 HEX NUTS	12		218-06
68.	6mm DIA FLAT WASHERS	20		211-02-06
69.	6mm DIA SPRING WASHERS	16		212-02-06
70.	COUNTER MOUNTING BRACKETS	1	B/R 196A	
71.	SCRAPER	2	B/R 191	
72.	COUNTER (RE-SETTABLE TYPE)	1		



TANCO AUTOWRAP 1990
CHAIN DRIVE ASSY

TANCO AUTOWRAP 1990
BRAKE ARRANGEMENT
FOR INDEXING SHAFT



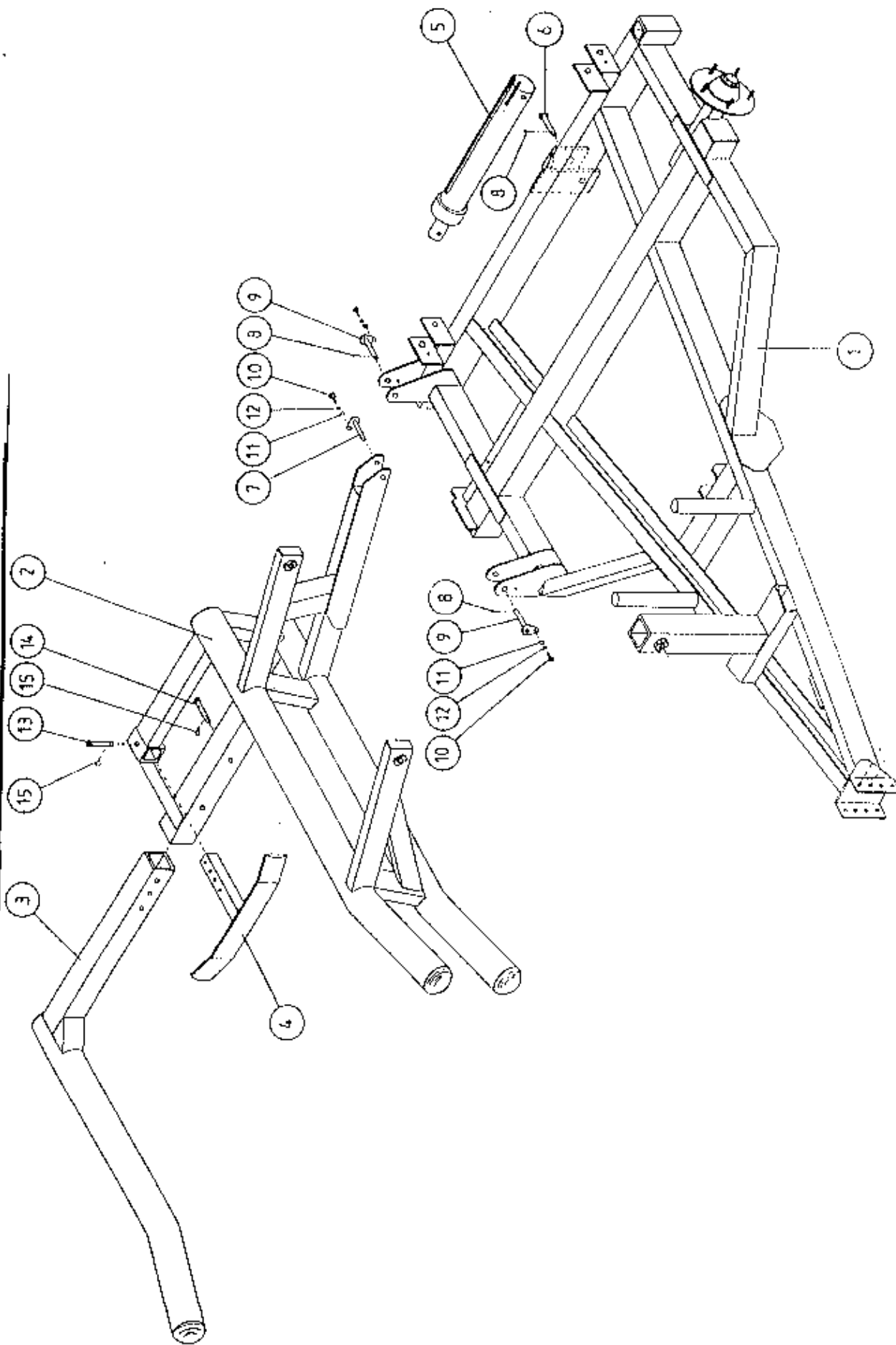
TANCO AUTOWRAP 1990

BRAKE ARRANGEMENT FOR INDEXING SHAFT

PARTS LIST

<u>ITEM NO.</u>	<u>DESCRIPTION</u>	<u>QTY.</u>	<u>PART NO.</u>	<u>CODE NO.</u>
1.	MOUNTING BRACKET ASSY (UPPER)	1	B/R 169 A	
2.	CAM FOLLOWER MTG BRK (LOWER)	1	B/R 170	
3.	CALIPER DISC BRAKE UNIT	1		Z49-92
4.	BALL BEARING (6301)	1		Z06-43
5.	RUBBER BUFFER 50mm DIA x 30 LONG TYPE A 57 SHORE	2		Z40-21
6.	M10 HEX NUTS	6		Z18-10
7.	10mm DIA SPRING WASHERS	6		Z12-02-10
8.	M10 HEX HD SET x 40 LONG	2		Z26-0645
9.	TENSION SPRING	1	J-24	Z07-05
10.	EYE BOLT (M8)	1	B/R 172 A	
11.	M8 HEX NUTS	2		Z18-08
12.	M12 LOCKNUT	1		Z23-12
13.	SPROCKET/SHAFT ASSY	1	B/R 166 A	
14.	5/16" UNF THREADED BAR x 80mm LONG	1		
15.	5/16" UNF CLEVIS C/W PIN & CLIP	2		
16.	5/16" UNF HEX NUT	2		Z15-05
17.	TURN TABLE	1	B/R 102 A	
18.	M12 HEX HD. SETS x 40mm LONG	1		Z26-0845
19.	12mm DIA FLAT WASHER	2		Z11-02-12
20.	10mm DIA FLAT WASHER	5		Z11-02-10
21.	3/8" UNF HEX HD. BOLT x 3" LONG	2		Z31B-102
22.	3/8" UNF LOCK NUT	2		Z15-06
23.	SPACER 1/2" O.D. x 13/32" I.D. x 1 1/2" LONG	2		
24.	SPACER 1/2" O.D. x 13/32" I.D. x 1/2" LONG	2		

CANCC AUTOWRAP LIFT ARM & CHASSIS
 TRAILED MODEL (1990)



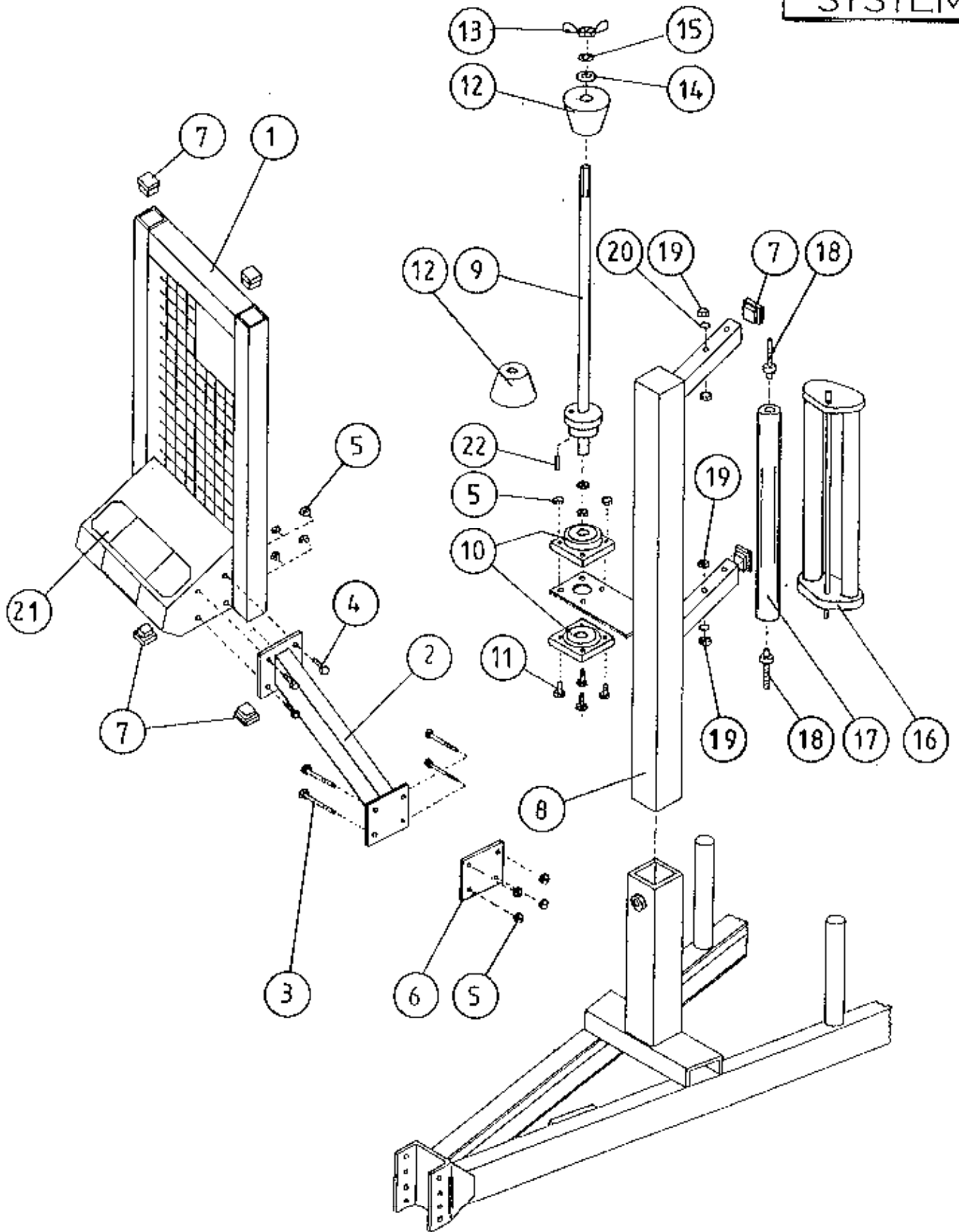
TANCO AUTOWRAP 1990 (TRAILED MODEL)

PARTS LIST

LIFT ARM AND CHASSIS

<u>ITEM NO.</u>	<u>DESCRIPTION</u>	<u>QTY.</u>	<u>PART NO.</u>	<u>CODE NO.</u>
1.	CHASSIS ASSEMBLY	1	B/R 100 A	
2.	LIFT ARM ASSEMBLY	1	B/R 140 A	
3.	ADJUSTABLE OUTER ARM ASSY.	1	B/R 152 A	
4.	ADJUSTABLE BASE STOP	1	B/R 153 A	
5.	HYDRAULIC RAM (LIFT ARM)	1	27	Z01-01-AW
6.	RAM BOTTOM PIVOT PIN	2	B/T 330 A	Z03-02-330
7.	RAM TOP PIVOT PIN	1	797/968	Z03-03-797
8.	2" x 1/4" SPLIT PINS	3		Z03-21-29
9.	LIFT ARM PIVOT C/W GREASE NIPPLE	2	905/968	Z03-01-905
10.	M12 HEX HD SET x 25mm LONG (TUYLOCK)	3		Z26S-061
11.	10mm DIA MACHINED FLAT WASHER	3		Z11-02-10
12.	10mm DIA SPRING WASHER	3		Z12-02-10
13.	SPAREX PIN	1	S73	Z03-04-73
14.	SPAREX PIN	1	S77	Z03-04-77
15.	7/16" DIA LINCH PINS	2		Z03-22-06

TANCO AUTOWRAP TRAILED MODEL (1990) CONTROL CONSOLE & FILM DISPENSING SYSTEM



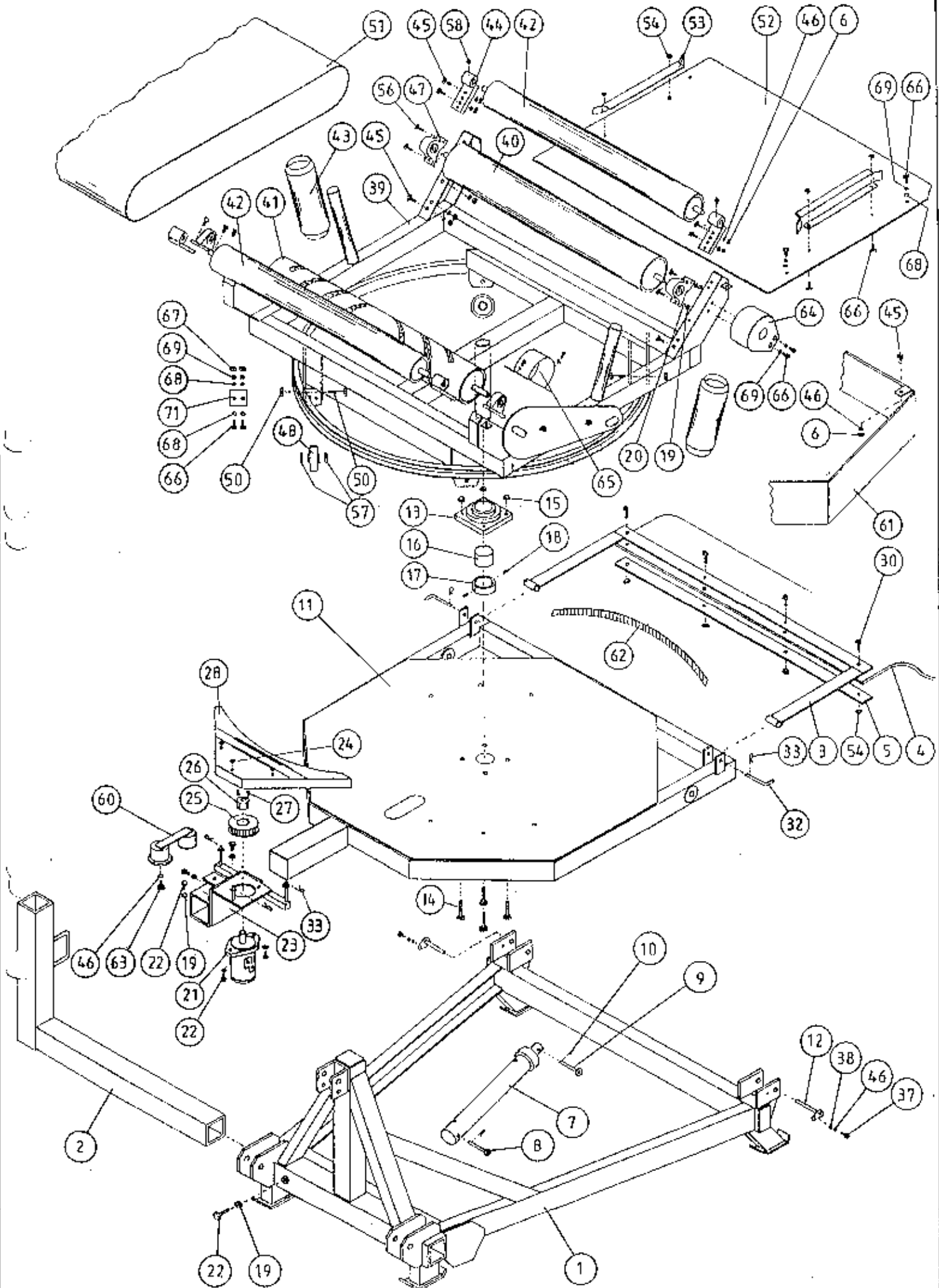
TANCO © 1987

AUTOWRAP 1990 (TRAILED MODEL)

CONTROL CONSOLE & FILM DISPENSING SYSTEM

PARTS LIST

<u>ITEM NO.</u>	<u>DESCRIPTION</u>	<u>QTY.</u>	<u>PART NO.</u>	<u>CODE NO.</u>
1.	CONTROL PANEL/GUARD ASSY.	1	B/R 155 A	
2.	CONTROL PANEL GUARD MOUNTING ARM	1	B/R 156 A	
3.	M10 HEX HD BOLT x 1.30mm LONG	4		226-0725B
4.	M10 HEX HD SET x 30mm LONG	4		226-062S
5.	M10 LOCKNUTS	12		223-10
6.	CLAMPING PLATE	1	B/R 163	
7.	PLASTIC CAPS (TO SUIT 40 x 40 x 3 RHS)	6		232-07
8.	DISPENSER MOUNTING MAST	1	B/R 109 A	
9.	FILM SPOOL ASSEMBLY	1	B/R 195 A	
10.	1" DIA FLANGE BEARING	2		206-40
11.	M10 HEX HD. BOLT x 50mm LONG	4		226-0660
12.	FILM RETAINING BLOCK	2	B/R 149	249-90
13.	WING NUT ASSY 1" UNC	1	B/R 162 A	
14.	1" DIA FLAT WASHER	1		211-02-25
15.	1" DIA SPRING WASHER	1		
16.	FILM DISPENSER UNIT MK 5	1		0612
17.	SLAVE ROLLER ASSY (PLASTIC COATED)	1	B/R 134 A	
18.	SLAVE ROLLER PIVOT	2	B/R 135	
19.	M12 HEX NUTS	4		218-12
20.	12mm DIA SPRING WASHER	2		212-02-12
21.	SAFETY/INSTRUCTION STICKER	1	TA057	
22.	1/4" DIA TENSION PIN x 3/4" LONG	1		
23.	PLASTIC CAPS (TO SUIT 50 x 50 x 3 RHS)	2		



TANCO AUTOWRAP 3 PT. LINKAGE MODEL 1990

TANCO AUTOWRAP 1990 3PT LINKAGE MODEL

PARTS LIST

<u>ITEM NO.</u>	<u>DESCRIPTION</u>	<u>QTY.</u>	<u>PART NO.</u>	<u>CODE NO.</u>
1.	3PT LINKAGE FRAME ASSY.	1	B/R	
2.	DISPENSER MOUNTING BRACKET	1	B/R 203 A	
3.	RUBBER MAT. MOUNTING FRAME ASSY.	1	B/R 205 A	
4.	RUBBER MAT.	1		
5.	CLAMPING STRIP	1	B/R 206	
6.	M10 HEX NUT	12		Z1810
	HYD. RAM	1		Z01-01-AR687
8.	RAM BOTTOM PIVOT PIN	1	B/T 330	Z03-02-330
9.	RAM TOP PIVOT PIN	1	J-71-50	Z03-03-50
	2" X 1/4" SPLIT PIN	2		Z03-21-29
11.	TIPPING FRAME ASSY.	1	B/R 101 A	
12.	TIPPING FRAME PIVOT PIN C/W GREASE NIPPLE	2	905/968	Z03-01-905
13.	2" DIA FLANGE BEARING	1		Z06-49
14.	5/8" UNF HEX HD SET x 2" LONG	4		Z30B-064
15.	5/8" UNF LOCKNUTS	4		Z20-10
16.	SPACER	1	B/R 168	
17.	LOCKING COLLAR	1	B/R 167	Z06-01AW
18.	M10 x 15mm GRUB SCREWS	2		
19.	M12 HEX NUT	12		Z18-12
20.	12mm DIA SPRING WASHER	10		Z12-02-12
21.	HYD. MOTOR C.I.	1		Z01-02-AR75
	M12 HEX HD SETS x 30mm LONG	6		Z26S-082
23.	HYD. MOTOR MOUNTING ASSY.	1	B/R 103 A	
24.	RUBBER GROMMETS FOR 12mm ROUND	3		Z49-94
25.	4"DIA x 1/2" PITCH TOOTHED PULLEY	1		Z09-008-AW1
26.	TAPER LOCK BUSH TO SUIT 1" DIA SHAFT	1		Z09-005-AW2
27.	M10 STUDS X 15mm	2		
28.	HYD. MOTOR GUARD ASSY	1	B/R 126 A	
30.	M6 HEX HD SET x 25mm LONG	2		
31.				
32.	RISSEL PIN	2	B/R 199	
33.	4mm "R" CLIP	5		Z36-02

TANCO AUTOWRAP 1990 3PT LINKAGE MODEL

PARTS LIST

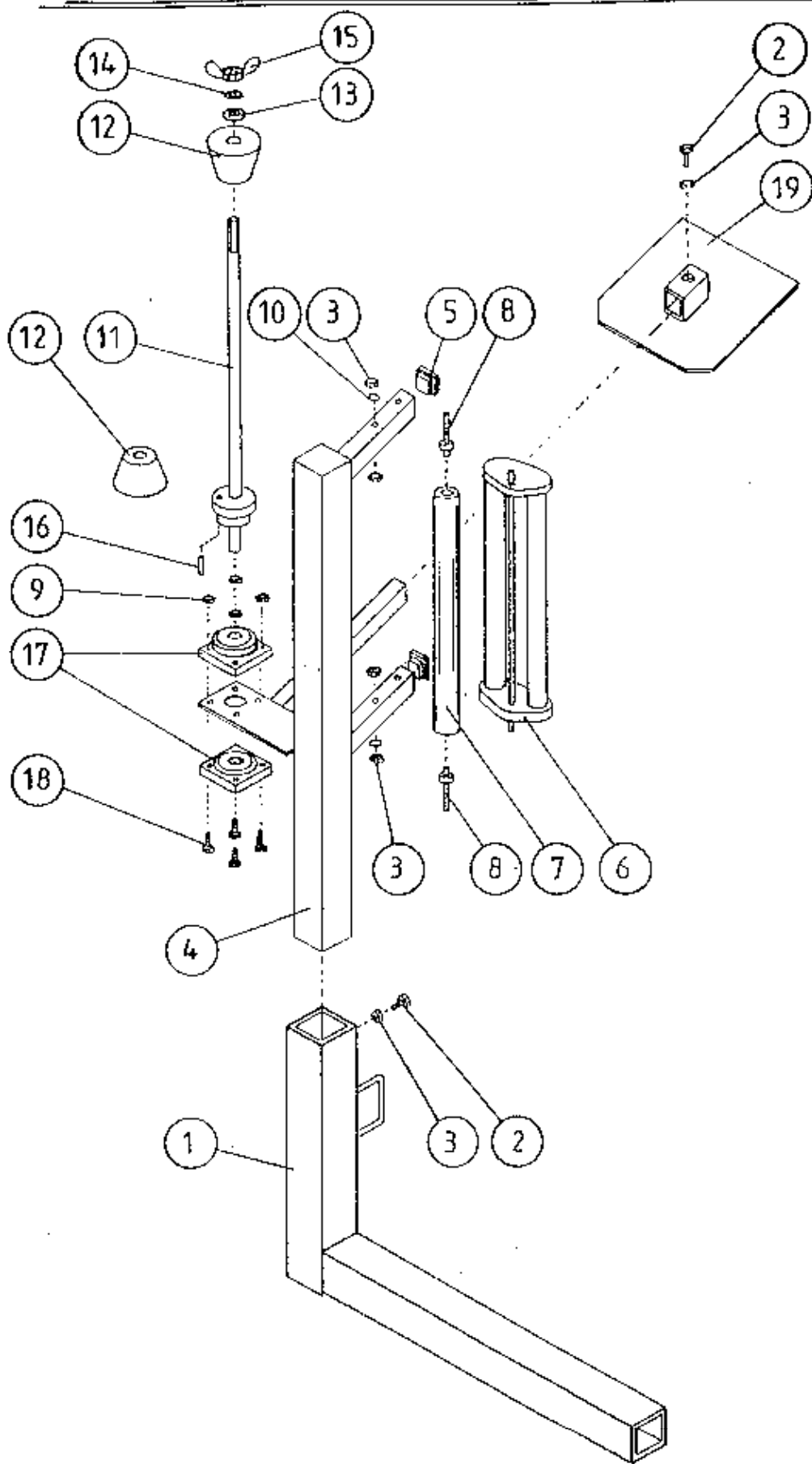
<u>ITEM NO.</u>	<u>DESCRIPTION</u>	<u>QTY.</u>	<u>PART NO.</u>	<u>CODE NO.</u>
34.				
35.				
36.				
37.	M10 HEX HD. SET x 25mm LONG (TUFLOCK)	2		Z26S-061
38.	10mm DIA MACHINED FLAT WASHER	2		Z11-02-10
39.	TURN TABLE ASSY.	1	B/R 102 A	
40.	BIG ROLLER ASSY IDLER	1	B/R 104 A	
41.	BIG ROLLER ASSY. DRIVER	1	B/R 105 A	
42.	SMALL ROLLER ASSY.	2	B/R 106 A	
43.	SIDE ROLLER ASSY.	2	B/R 107 A	
44.	ROLLER MFG. BRACKET	4	B/R 110 A	
45.	M10 HEX HD. SETS x 40mm LONG	12		Z26S-064
46.	10mm DIA SPRING WASHERS	17		Z12-02-10
47.	1" PILLOW BEARING C/W PROTECTOR CAP	4		Z06-47
48.	SUPPORT WHEELS (4" DIA)	4		
49.	AXLE ASSY. C/W GREASE NIPPLE	4	B/R 192	
50.	M20 LOCKNUTS	4		Z23-20
51.	1 METER WIDE x 89 1/2" LONG x 1/4" FLAT BELT	1		Z05-C2-AW
52.	TURN TABLE COVER PLATE ASSY.	1	B/R 114 A	
53.	FLAT BELT GUIDE ASSY.	2	B/R 115 A	
54.	M6 LOCKNUTS	8		Z23-06
55.	BUFFER 50mm DIA x 40mm LONG	2		
56.	M12 HEX HD. SETS x 40mm LONG	8		Z26S-084
57.	SPACER	8	B/R 198	
58.	1/8" R.S.P. ST GREASE NIPPLE	4		Z39-60
59.				
60.	ROSTA TENSIONING UNIT RSE 18	1		Z06-455
61.	MAIN GUARD ASSY.	1	B/R 112 A	
62.	170" 1/2 PITCH x 1" WIDE TOOTHED BELT	1		Z05-02-AW2
63.	M10 HEX HD. SET x 30mm LONG	1		Z26S-062

TANCO AUTOWRAP 1990 3PT LINKAGE MODEL

PARTS LIST

<u>ITEM NO.</u>	<u>DESCRIPTION</u>	<u>QTY.</u>	<u>PART NO.</u>	<u>CODE NO.</u>
64.	GRASS GUARD (CLOSED TYPE)	3	B/R 182 A	249-98
65.	GRASS GUARD (OPEN TYPE)	1	B/R 183 A	249-981
66.	M6 HEX HD SETS x 20mm LONG	22		226-039S
67.	M6 HEX NUTS	12		218-06
68.	6mm DIA FLAT WASHERS	20		211-02-06
69.	6mm DIA SPRING WASHERS	16		212-02-06
70.				
71.	SCRAPER	2	B/R 191	

TANCO AUTOWRAP 3PT. LINKAGE MODEL (1990) FILM DISPENSING SYSTEM



TANCO AUTOWRAP 1990 3pt. LINKAGE MODEL.

PARTS LIST

FILM DISPENSING SYSTEM

<u>ITEM NO.</u>	<u>DESCRIPTION</u>	<u>QTY.</u>	<u>PART NO.</u>	<u>CODE NO.</u>
1.	DISPENSER MOUNTING BRACKET	1	B/R 203 A	
2.	M12 HEX HD. SCW x 30mm LONG	2		Z26S-002
3.	M12 HEX NUT	6		Z18-12
4.	DISPENSER MOUNTING MAST	1	B/R 109 A	
5.	PLASTIC CAP (TO SUIT 40 x 40 x 3 RHS)	4		Z32-07
6.	FILM DISPENSER UNIT MK V	1		D612
7.	SLAVE ROLLER ASSY. (PLASTIC COATED)	1	B/R 134 A	
8.	SLAVE ROLLER PIVOT	2	B/R 135	
9.	M10 LOCKNUTS	4		Z23-10
10.	12mm SPRING WASHERS	2		Z12-02-12
11.	FILM SPOOL ASSY.	1	B/R 195 A	
12.	FILM RETAINING BLOCK	2	B/R 149	Z49-90
13.	1" DIA FLAT WASHER	1		Z11-02-25
14.	1" DIA SPRING WASHER	1		Z12-02-12
15.	WING NUT ASSY. 1" UNC	1	B/R 162 A	
16.	1/4" DIA TENSION PIN x 3/4" LONG	1		Z03-20-062
17.	1" DIA FLANGE BEARING	2		Z06-48
18.	M10 HEX HD. BOLTS x 50mm LONG	4		Z26-066B
19.	VALVE MOUNTING PLATE	1	B/R 121 A	

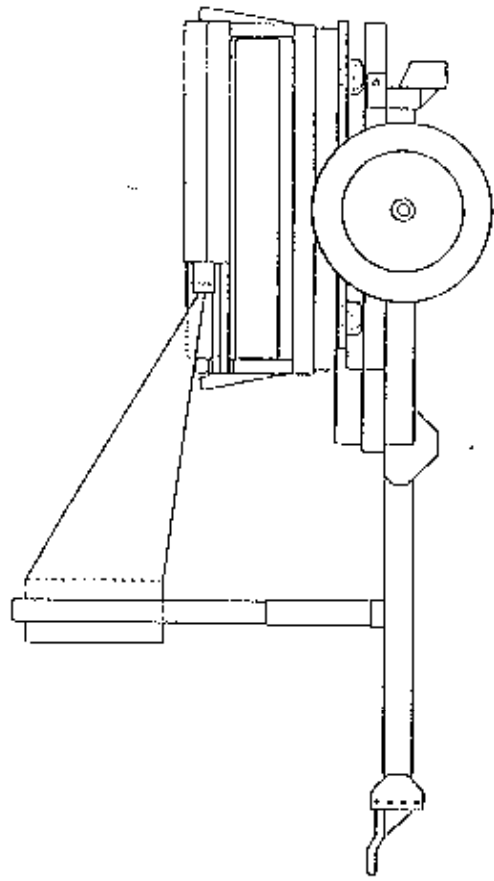


Fig. 1

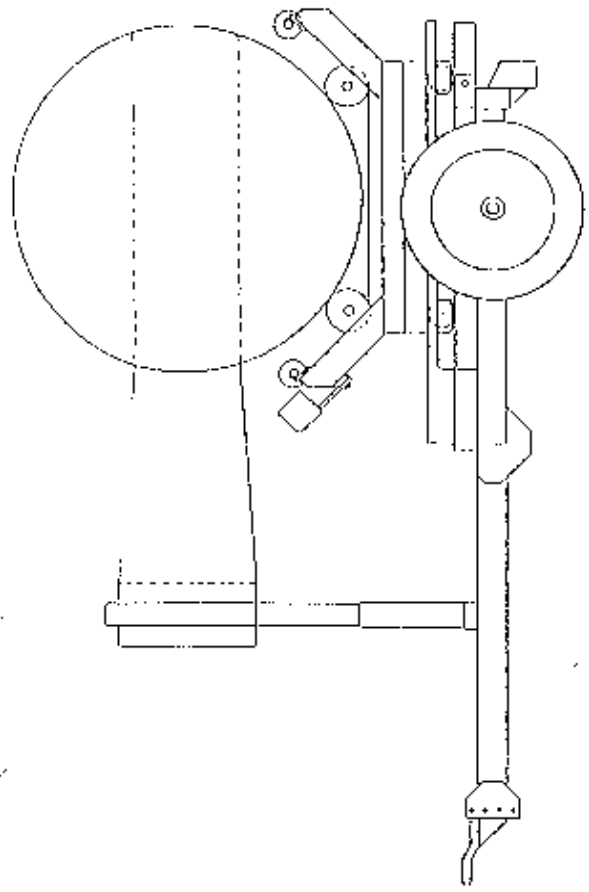


Fig. 2

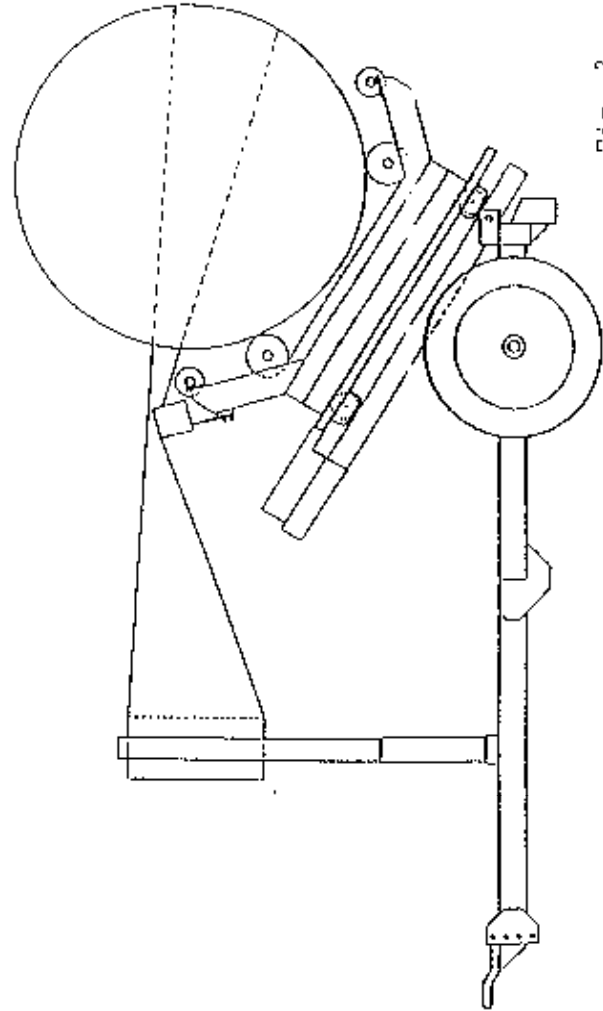


Fig. 3

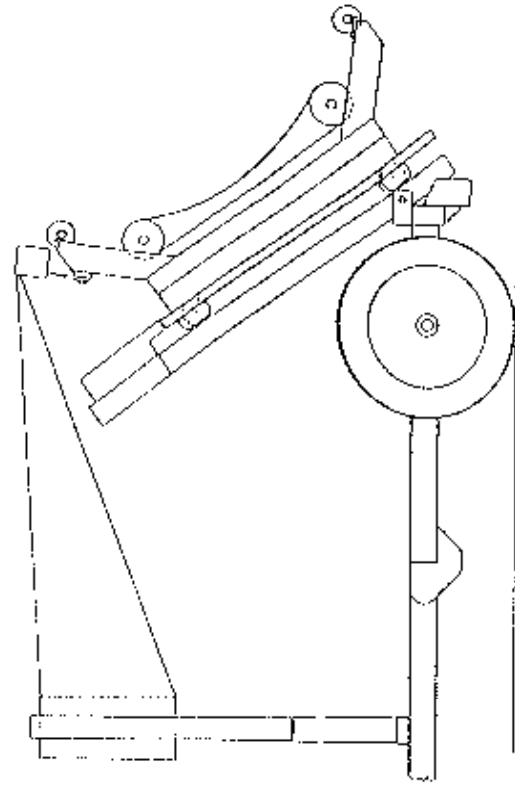


Fig. 4

TANCO AUTOWRAP
CUT AND START UNIT

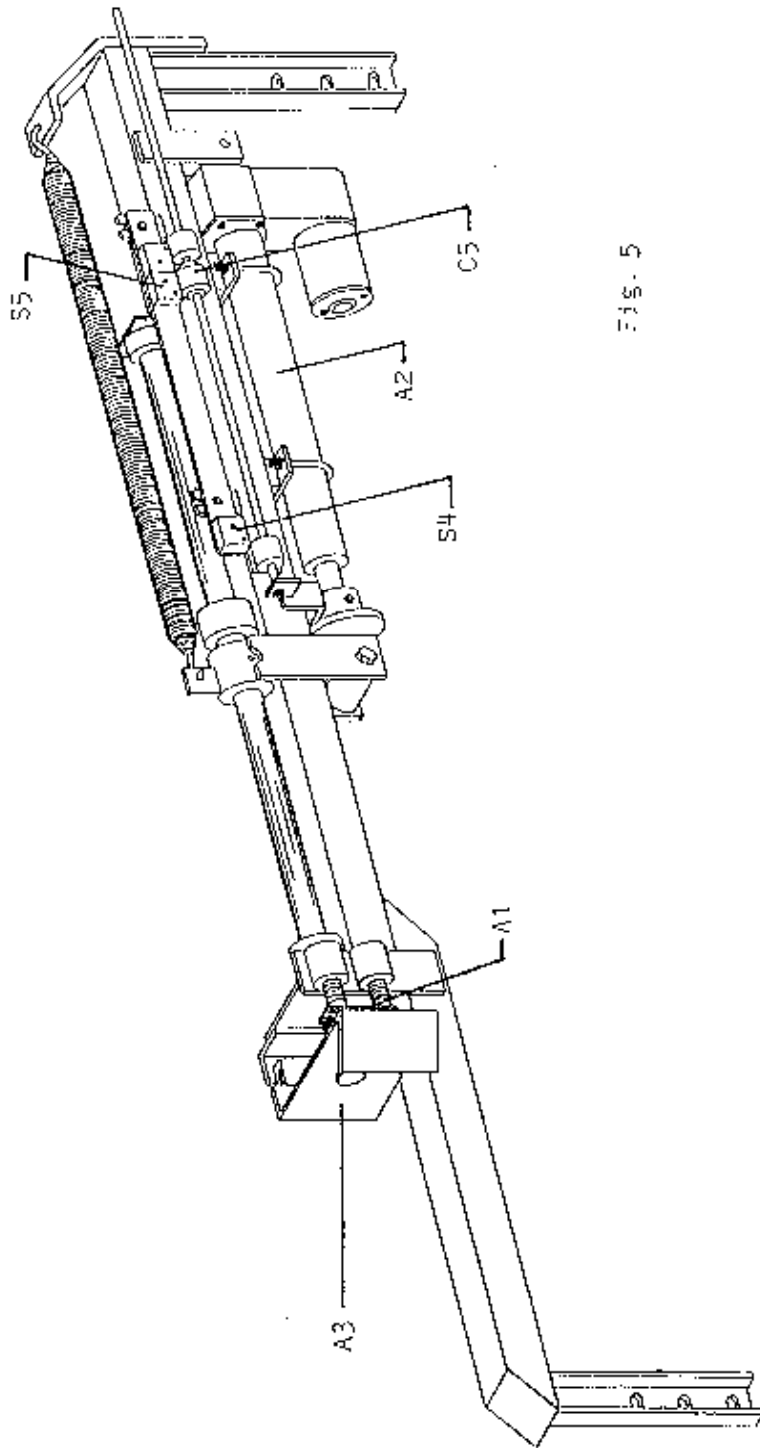


FIG. 5

TANCO AUTOWRAP
CUT AND START UNIT

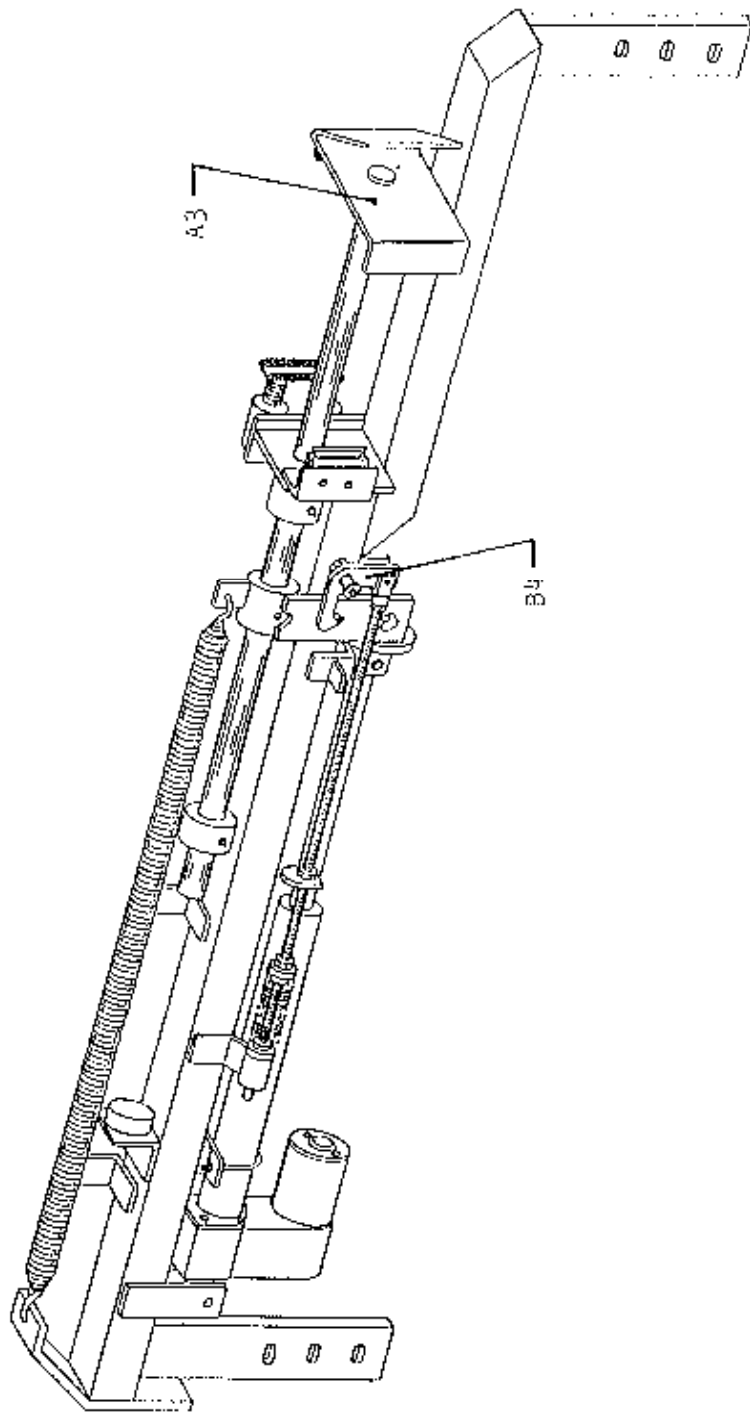


Fig. 6

TANCO AUTOWRAP
CUT AND START UNIT

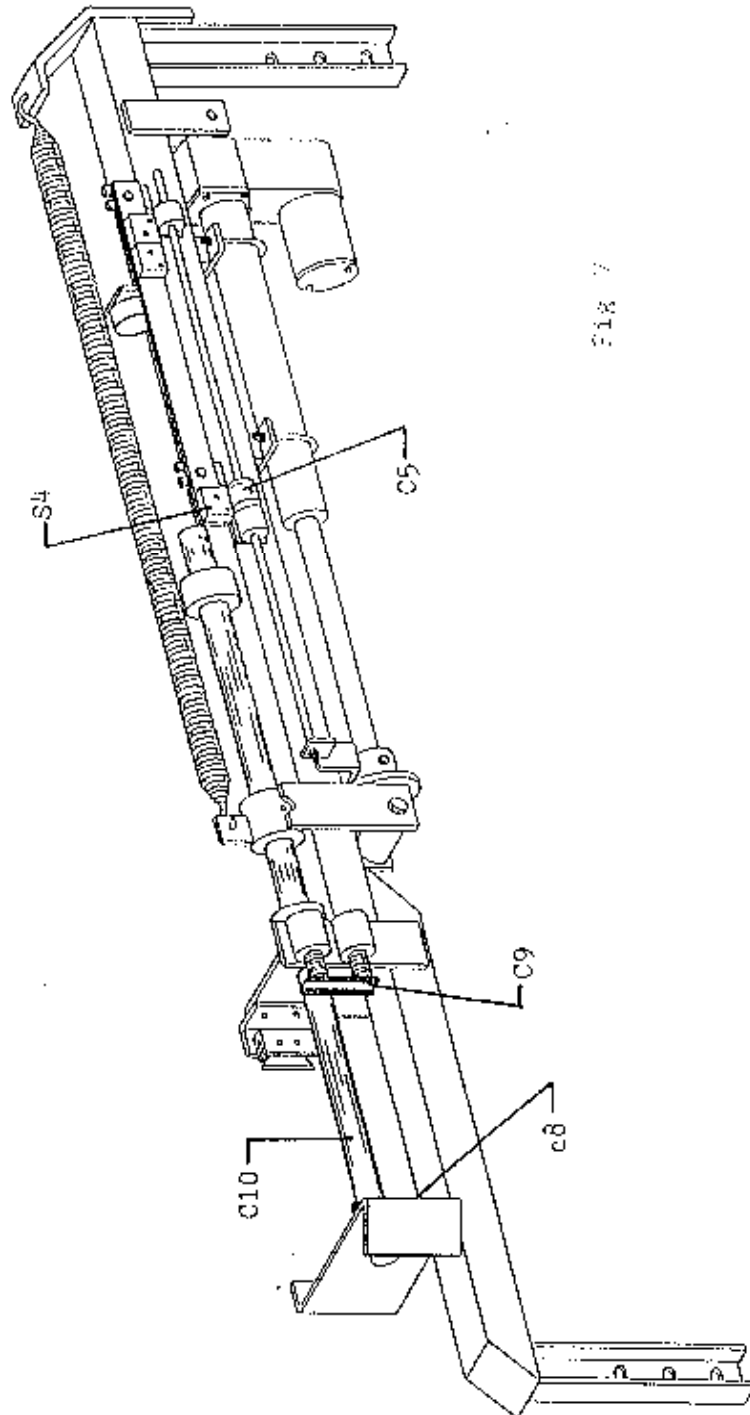


FIG. 7

TANCO AUTOWRAP
CUT AND START UNIT

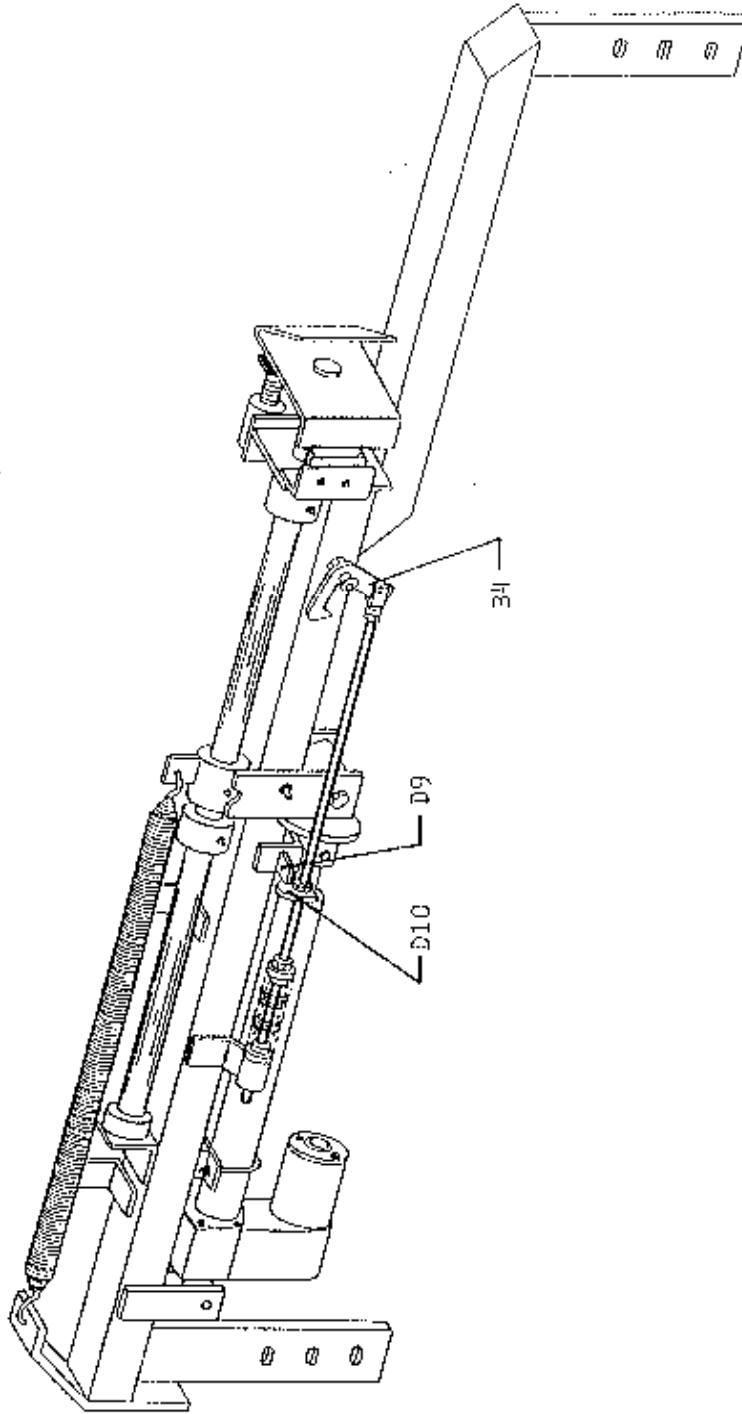
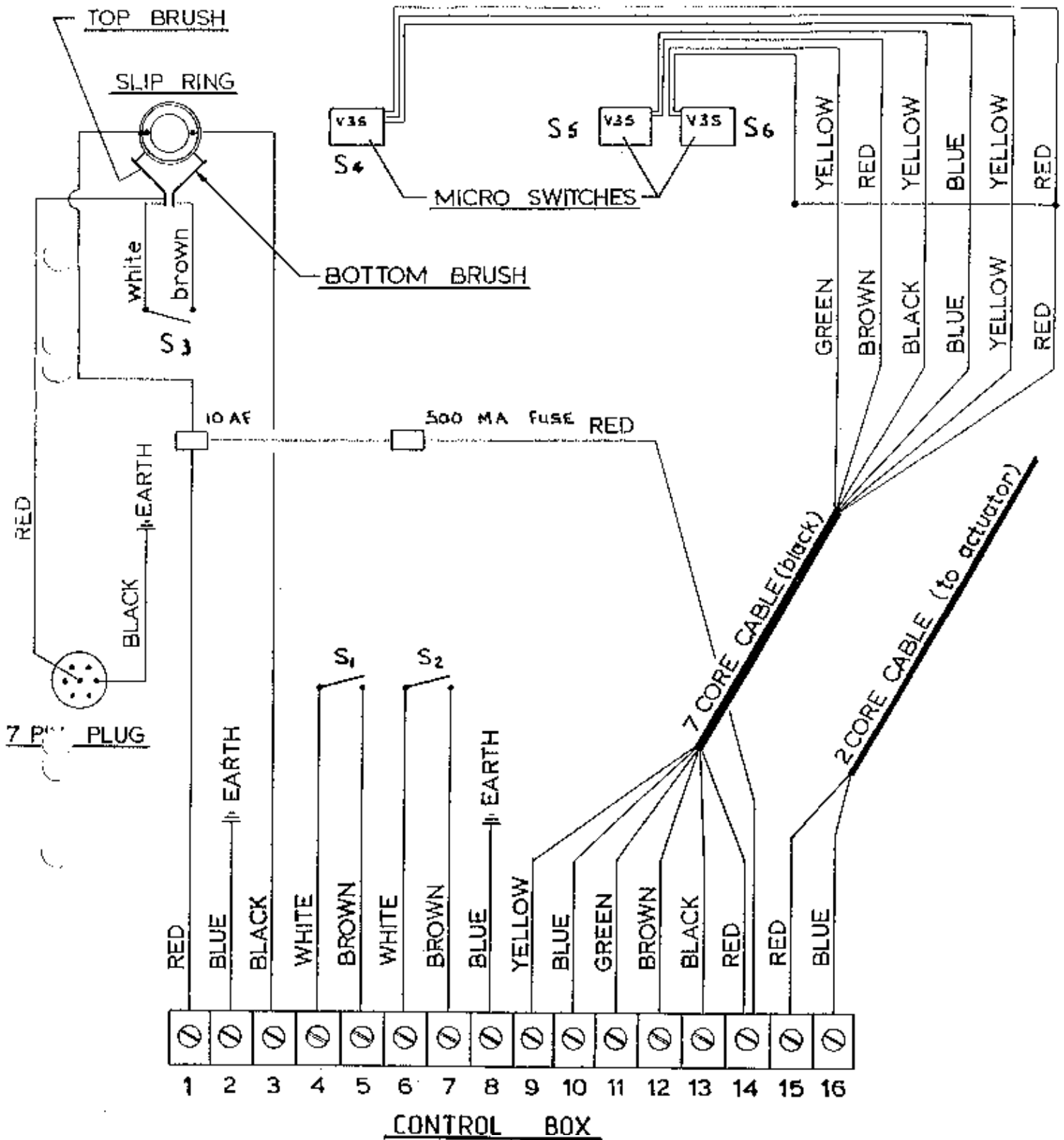


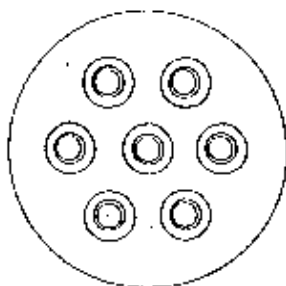
Fig. 8

TANCO AUTOWRAP CUT AND START UNIT WIRING DIAGRAM



TANCO AUTOWRAP CUT & START WIRING DIAGRAM FOR SLIP RING & BRUSHES

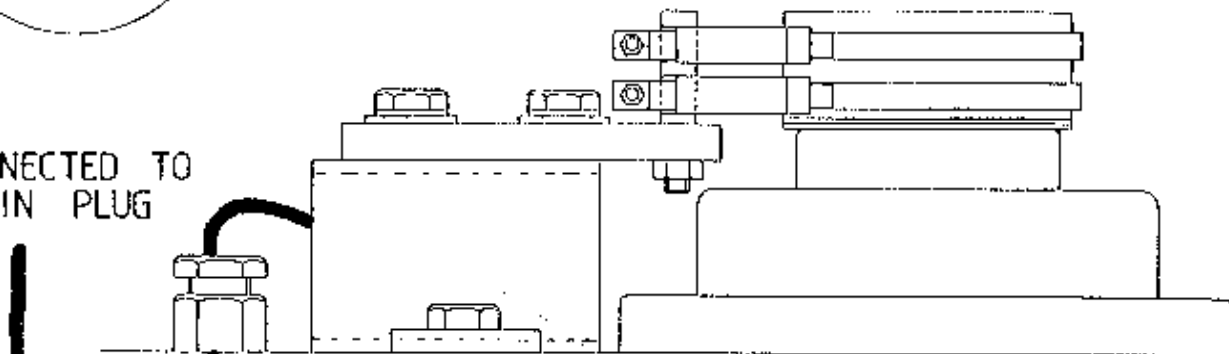
7 PIN PLUG



BLACK WIRE CONNECTED
TO PIN MARKED 31③

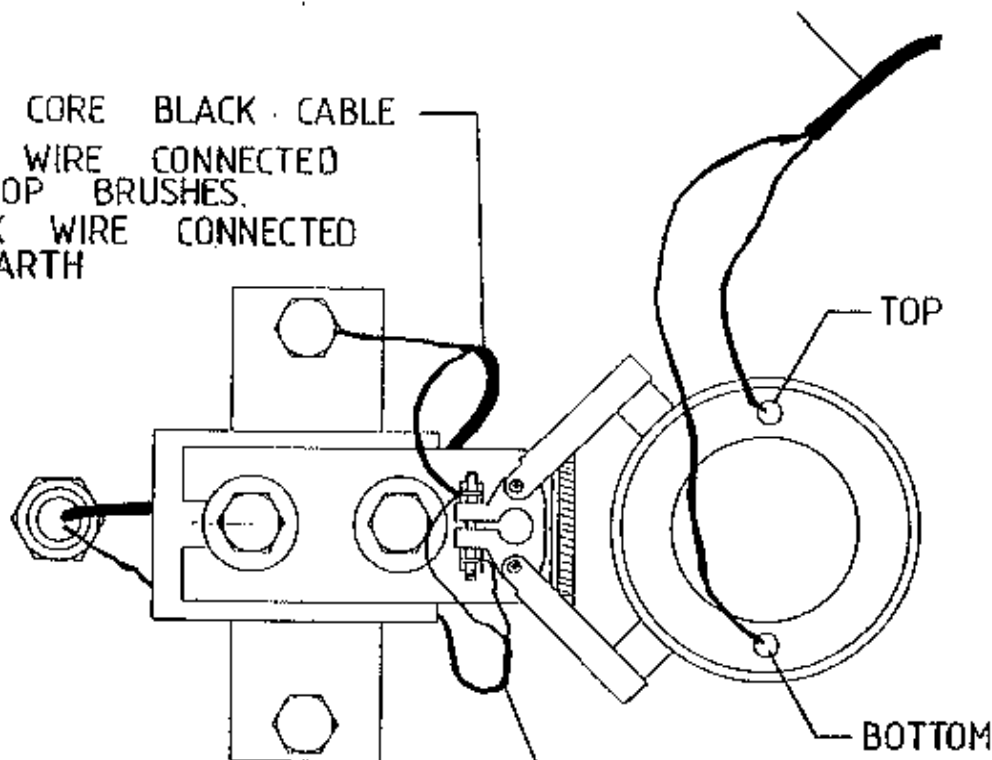
RED WIRE CONNECTED
TO CENTRE PIN

CONNECTED TO
7 PIN PLUG



TWO CORE BLACK CABLE
RED WIRE CONNECTED TO TOP RING
BLACK WIRE CONNECTED TO BOTTOM RING

TWO CORE BLACK CABLE
RED WIRE CONNECTED
TO TOP BRUSHES.
BLACK WIRE CONNECTED
TO EARTH

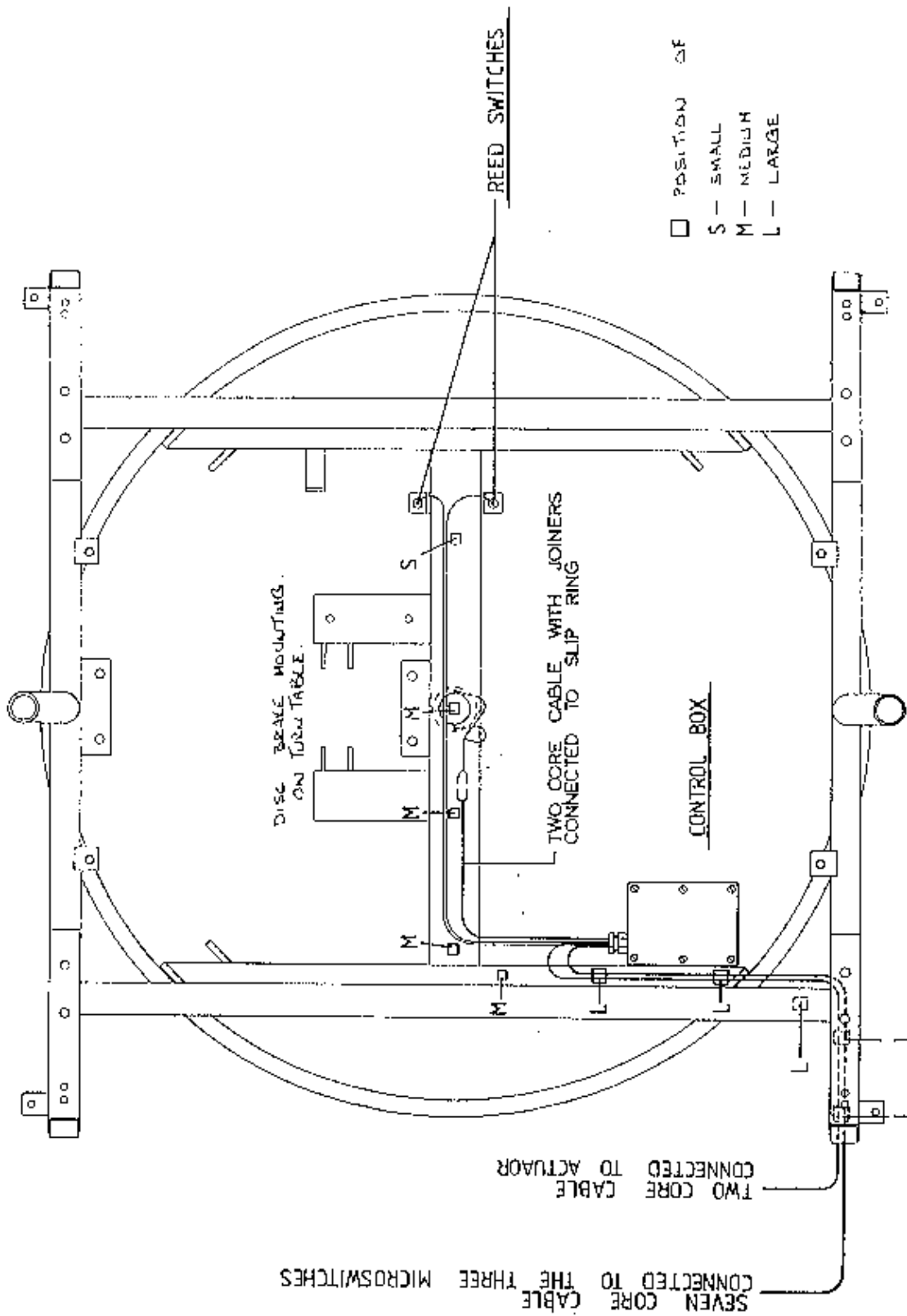


TWO CORE GREY CABLE
WHITE WIRE CONNECTED
TO TOP BRUSHES
BROWN WIRE CONNECTED
TO BOTTOM BRUSHES

TANCO © 1989

TACO TOWRAP CUT & STACK UNIT

WIRING DIAGRAM FOR TURNABLE



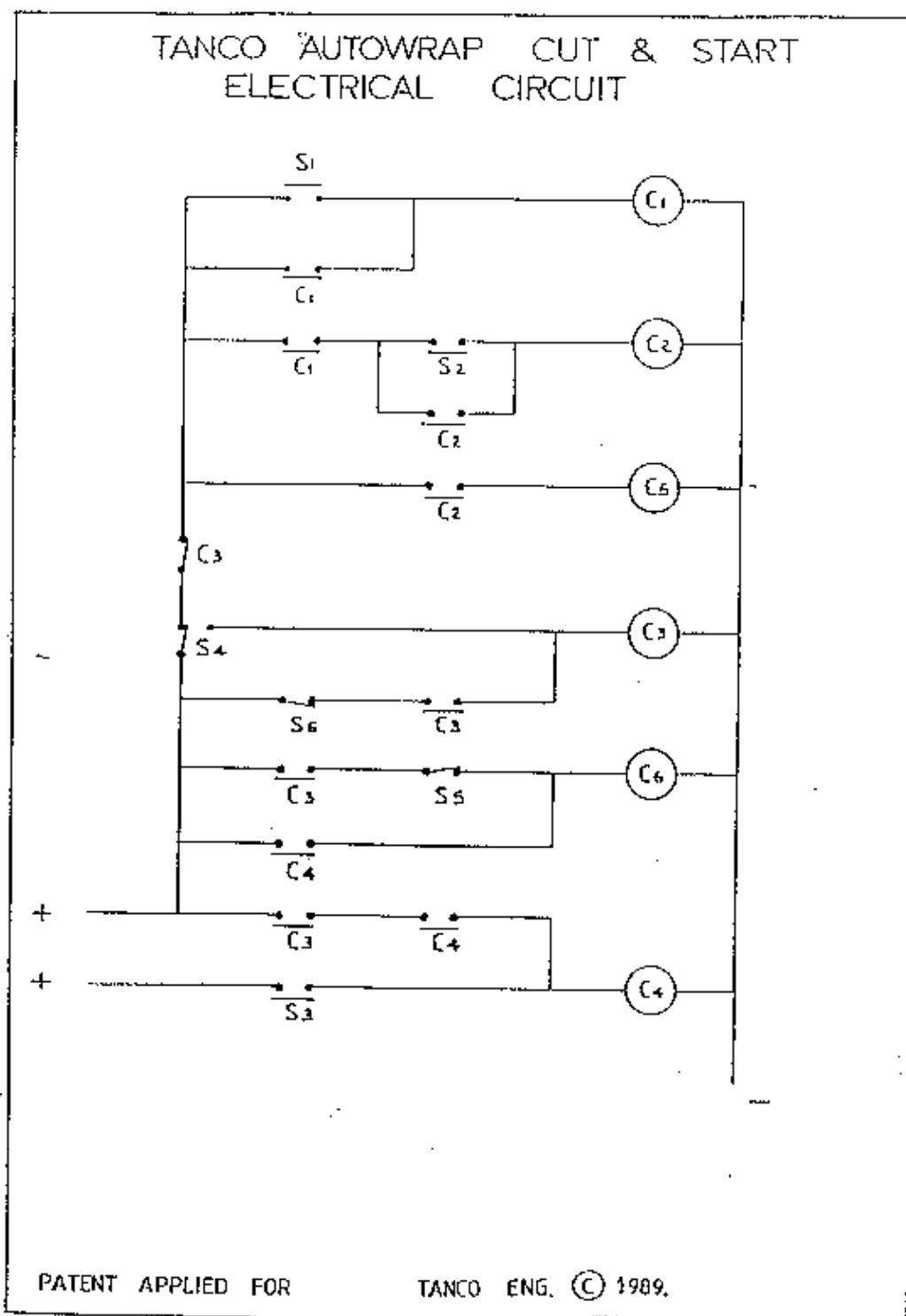
DETAILS OF OPERATION OF ELECTRICAL CIRCUIT

When S1 is closed, it closes C1.

On the next revolution S2 is closed, this closes C2 and C5, this opens the linear actuator, at the end of the stroke the switch cam actuates S4, this stops the actuator and denergises C1, C2, C5 and energises C3 and C6.

This closes the actuator to within about 25mm from home when switch cam actuates S5 and breaks contact, this stops the actuator.

When the table is tipped, S3 is closed, energising C4 and C6, this closes the actuator and switch cam actuates S6, this denergises C3, C4 and C6.



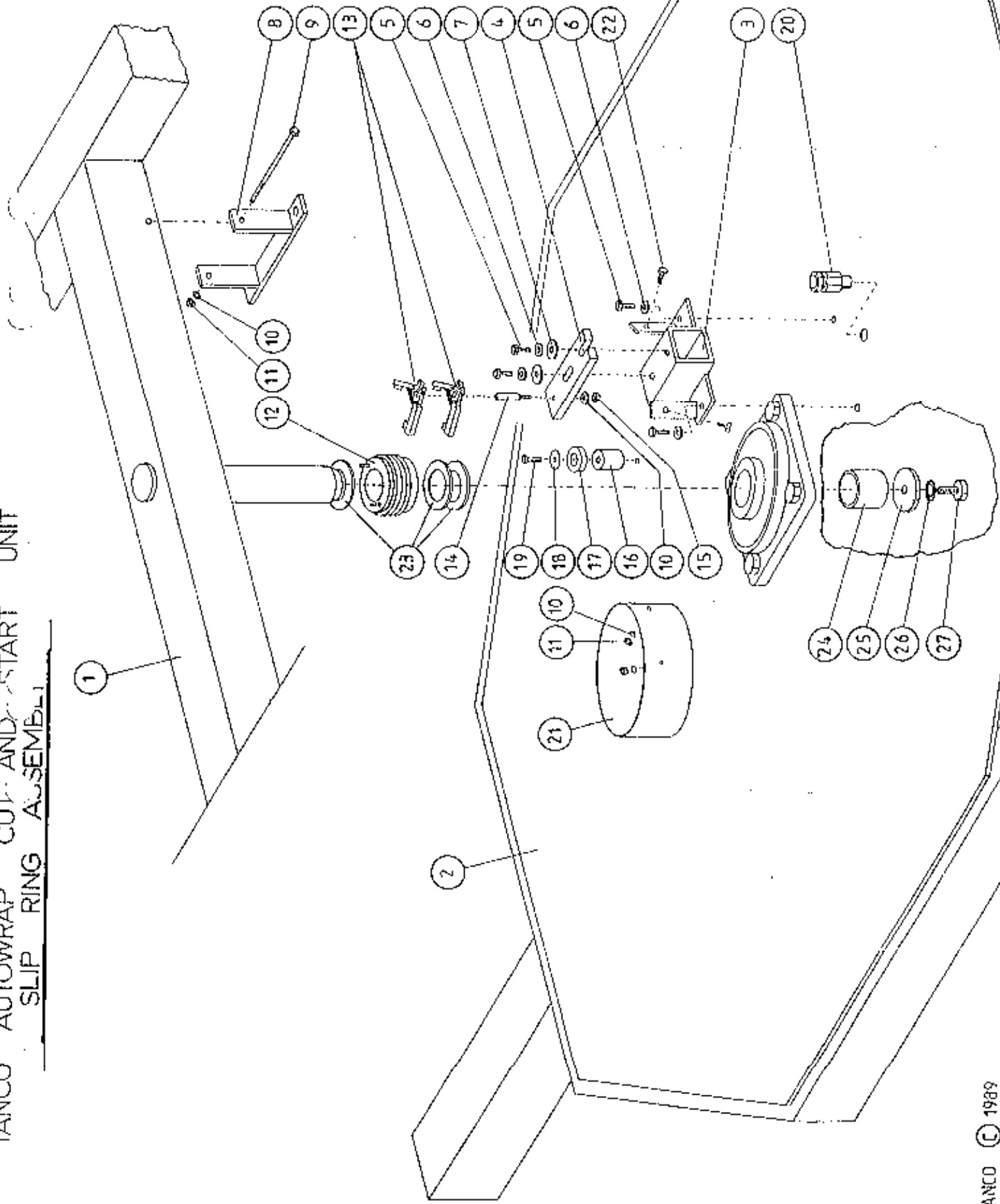
PANCO AUTOWRAP CUT AND START UNIT

SLIP RING ASSY.

PARTS LIST

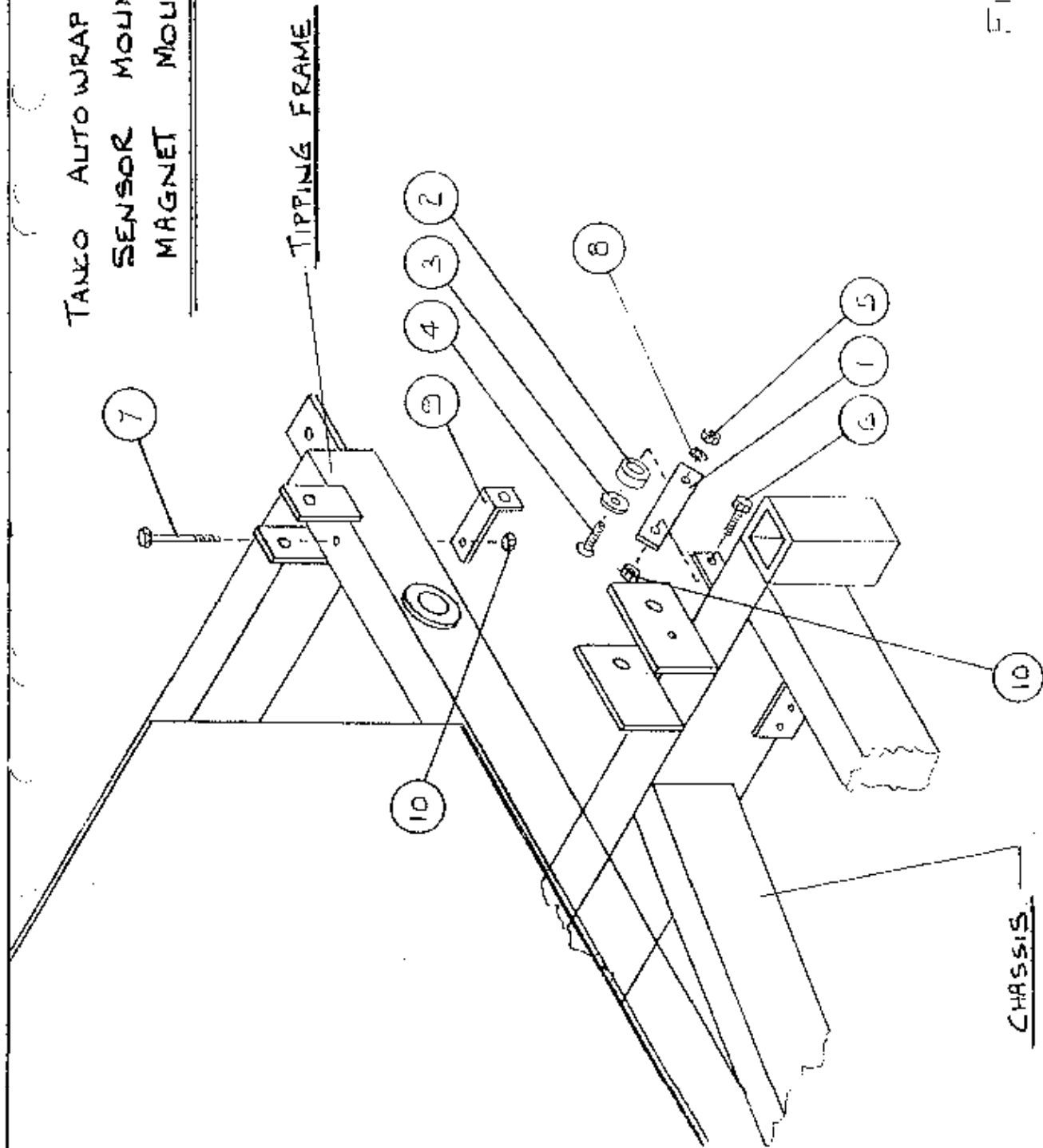
<u>ITEM NO.</u>	<u>DESCRIPTION</u>	<u>QTY.</u>	<u>PART NO.</u>	<u>CODE NO.</u>
1.	TURN TABLE	1		
2.	TIPPING FRAME	1		
3.	SLIP RING MOUNTING BRACKET ASSY.	1	B/R 257 A	
4.	SLIP RING MOUNTING PLATE	1	B/R 270	
5.	M8 HEX HD SET x 20	4		Z26-039S
6.	8mm DIA SPRING WASHER	4		Z12-02-08
7.	8mm DIA FLAT WASHER 1" O.D.	2		
8.	SENSOR MOUNTING BRACKET ASSY.	1	B/R 274 A	
9.	M6 HEX HD BOLT x 100mm LONG	1		
10.	6mm DIA FLAT WASHER	4		Z11-02-06
11.	M6 LOCKNUT (NYLOCK)	3		Z23-06
12.	SLIP RING ASSY.	1		
13.	BRUSHES	2		Z0605-300
14.	INSULATOR SLEEVE	1		
15.	1/4" UNF HEX NUT	1		
16.	MAGNET MOUNTING COLLAR	1	B/R 278	
17.	MAGNET 35mm O.D. x 17mm I.D. x 8mm LONG	1		
18.	6mm DIA FLAT WASHER 1" O.D.	1		
19.	M6 CSK SET SCREW x 25mm LONG	1		Z13-131
20.	CABLE GLAND M16	1		
21.	PLASTIC GUARD	1		
22.	M6 HEX HD SET x 16mm LONG	2		Z26-016S
23.	INSULATING RINGS	3		Z0605-350
24.	SPACER	1	B/R 277	
25.	LOCKING COLLAR	1	B/R 276	
26.	10mm DIA SPRING WASHER	1		Z12-02-10
27.	M10 HEX HD SET x 25mm LONG	1		Z26-061S

TANCO AUTOWRAP CUT AND START UNIT
SLIP RING ASSEMBLY



TANCO AUTOWRAP CUT AND START
 SENSOR MOUNTING BRACKET
 MAGNET MOUNTING BRACKET.

TIPPING FRAME



CHASSIS

FIG. 6.

TANCO © 1959

TANCO AUTOWRAP CUT AND START UNIT
SENSOR AND MAGNET MOUNTING BRACKETS

PARTS LIST

<u>ITEM NO.</u>	<u>DESCRIPTION</u>	<u>QTY.</u>	<u>PART NO.</u>	<u>CODE NO.</u>
1	MAGNET MOUNTING FLAT	1	B/R 272	
2	MAGNET 35mm O.D. x 17mm I.D. x 8mm LONG	1		ZD605-200
3	8mm DIA FLAT WASHER 1" O.D.	1		Z11-02-081
4	M6 CS'K SET SCREW x 25mm	1		Z13-131
5	M8 LOCKNUT (NYLOCK)	1		Z23-06
6	M8 HEX HD SET x 20mm	1		Z26-0205
7	M6 HEX HD BOLT x 100	1		Z26-057B
8	6mm DIA FLAT WASHER	1		Z11-02-06
9	SENSOR MOUNTING BRACKET	1	B/R 273	
10	M8 LOCKNUT (NYLOCK)	2		Z23-08

TANCO AUTOWRAP CUT AND START UNIT

PARTS LIST

<u>ITEM NO.</u>	<u>DESCRIPTION</u>	<u>QTY.</u>	<u>PART NO.</u>	<u>CODE NO.</u>
1.	MAIN MOUNTING FRAME ASSY.	1	B/R 250 A	
2.	LATCH ASSY.	1	B/R 252 A	
3.	PUSH PLATE ASSY.	1	B/R 253 A	
4.	GUIDE ASSY.	1	B/R 254 A	
5.	PLUNGER ASSY.	1	B/R 255 A	
6.	FILM GRIPPER ASSY.	1	B/R 256 A	
7.	MICRO SWITCH MOUNTING PLATE	1	B/R 258	
8.	WARNER LINEAR ACTUATOR D11 10B5 08 NO CLUTCH 12V	1		Z0605-500
9.	"U" BOLT	1	B/R 259	
10.	STEPPED COLLAR	2	B/R 260	
11.	SLEEVE 1/2" DIA O.D. x 13/32" DIA I.D.	1	B/R 261	
12.	THREADED ROUND 5/16" UNF	1	B/R 262	
13.	TRIGGER	1	B/R 263	
14.	COLLAR 1" DIA BRIGHT RD. x 41.5mm LONG	1	B/R 264	
15.	COLLAR 1 1/8" DIA BRIGHT RD.	1	B/R 265	
16.	BLADE GUARD	1	B/R 266	
17.	BLADE MOUNTING BRACKET	1	B/R 267	
18.	BLADE CLAMPING PLATE	1	B/R 268	
19.	10mm BRIGHT RD.	1	B/R 271	
20.	SPRING 16mm O.D. x 1.5mm WIRE x 48mm LONG	1		
21.	SPRING 16.5mm O.D. x 1.5mm WIRE x 40mm LONG	2		
22.	SPRING 25mm O.D. x 2.5mm WIRE x 325mm	1		
23.	OILITE OIL RETAINING BUSH 1 1/8" O.D. x 3/4" I.D. x 1" L.	3		
24.	RUBBER BUFFER 40mm DIA	1		Z40-24
25.	CLEVIS C/W PIN	1		Z49-33
26.	1 1/2" x 1/4" DIA TENSION PIN	1		Z03-20-07
27.	M10 LOCKNUTS	5		
28.	M6 GRUB SCREW	1		
29.	M12 HEX HD BOLT x 65mm	1		Z26-0882B
30.	M12 HEX HD BOLT x 50mm	1		Z26-086B
31.	M10 HEX HD SET x 30mm	4		Z26-062S
32.	M8 HEX HD SET x 25mm	4		Z26-025S
33.	M12 DINX LOCKNUT	4		Z23-12
34.	M8 HEX NUT	6		Z18-08

TANCO AUTOWRAP CUT AND START UNIT

PARTS LIST

<u>ITEM NO.</u>	<u>DESCRIPTION</u>	<u>QTY.</u>	<u>PART NO.</u>	<u>CODE NO.</u>
35.	5/16" UNF HEX NUT	7		Z15-05
36.	M8 LOCKNUT	2		Z18-08
37.	M6 LOCKNUT (NYLOCK)	2		Z23-16
38.	10mm DIA FLAT WASHER	10		Z11-02-10
39.	8mm DIA FLAT WASHER	5		Z11-02-08
40.	6mm DIA FLAT WASHER	2		Z11-02-06
42.	3mm DIA SPLIT PIN	2		
43.	BLADE	1		
44.	MAIN GUARD	1	B/R 269 A	
45.	M8 HEX HD SET x 20mm LONG	4		Z26-020S
46.	10mm DIA SPRING WASHER	2		Z12-02-10
47.	M10 HEX NUT	1		Z18-10
48.	8mm DIA SPRING WASHER	9		Z12-02-08
49.	JOHN DEERE LIGHTS EDGING	1		
50.	SPACER 1" O.D. x 1/2" I.D. x 6mm LONG	2	B/R 275	
51.	M10 HEX HD SET x 20mm	2		Z26-060S
52.	8mm DIA FLAT WASHER 1" O.D.	4		Z11-02-081

TANCO AUTOWRAP
 CUT AND START UNIT (1991)
 MAIN ASSEMBLY

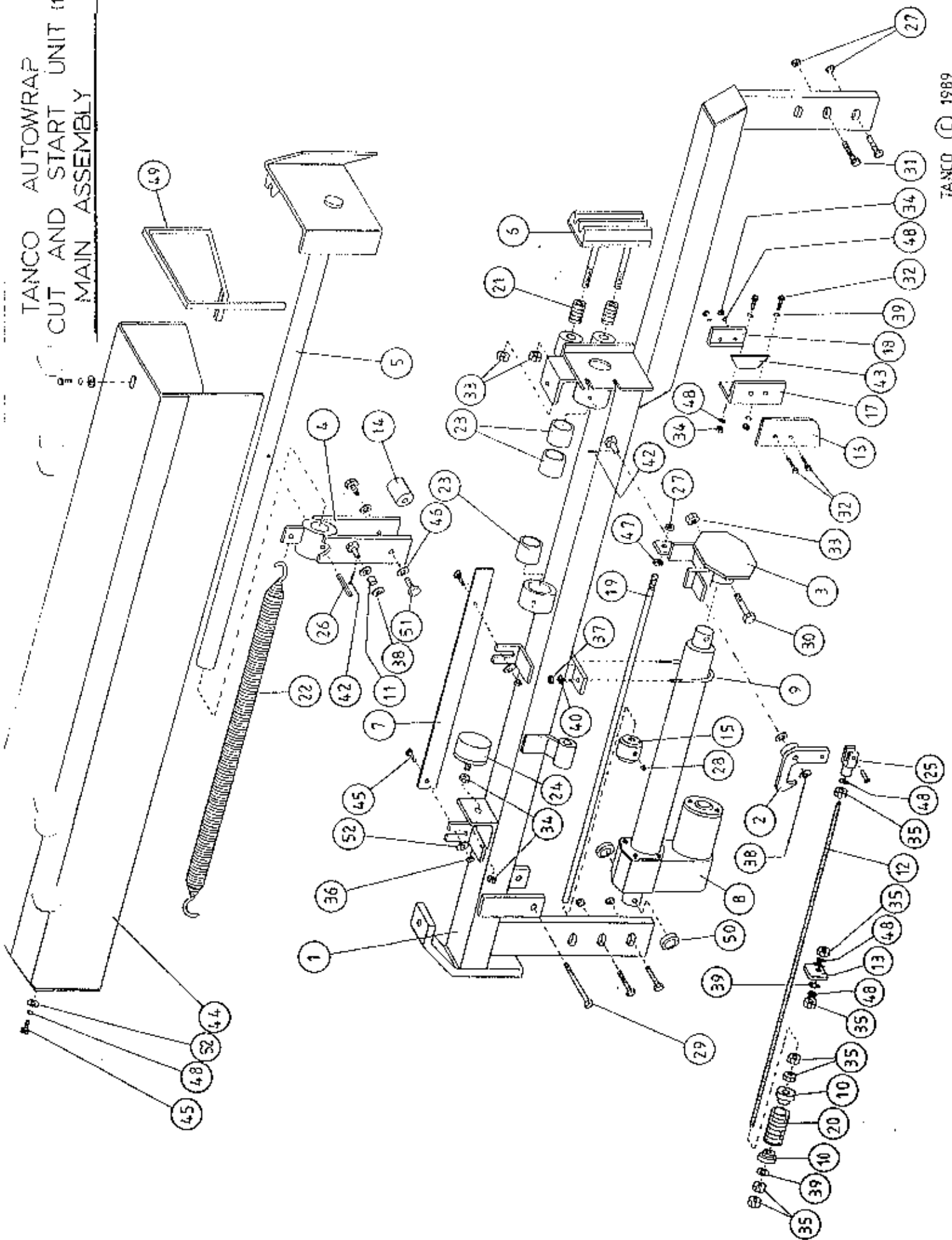
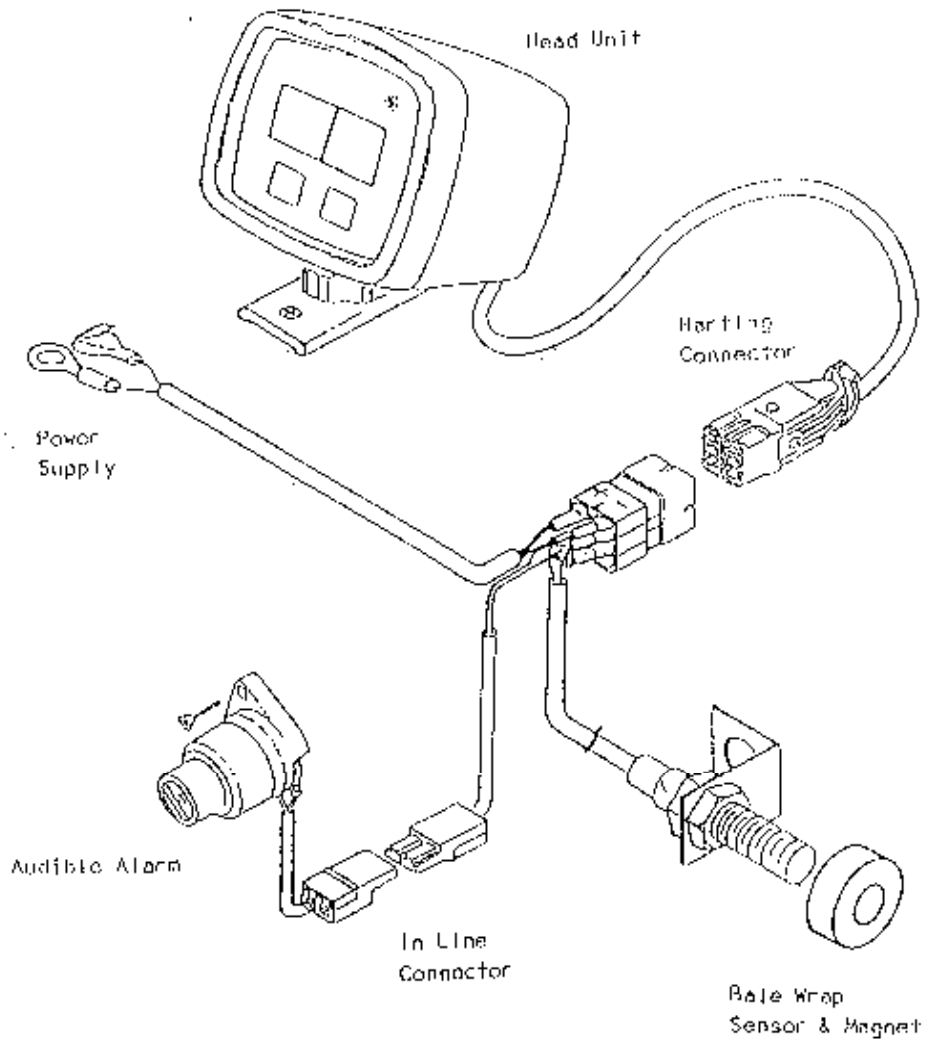


Fig 2 General Arrangement Bale Wrap Monitor



NOTE:

SEE SEPERATE INSTRUCTION MANUAL
FOR BALE WRAP MONITOR